

ARTERIALS

ASSEMBLY INSTRUCTIONS

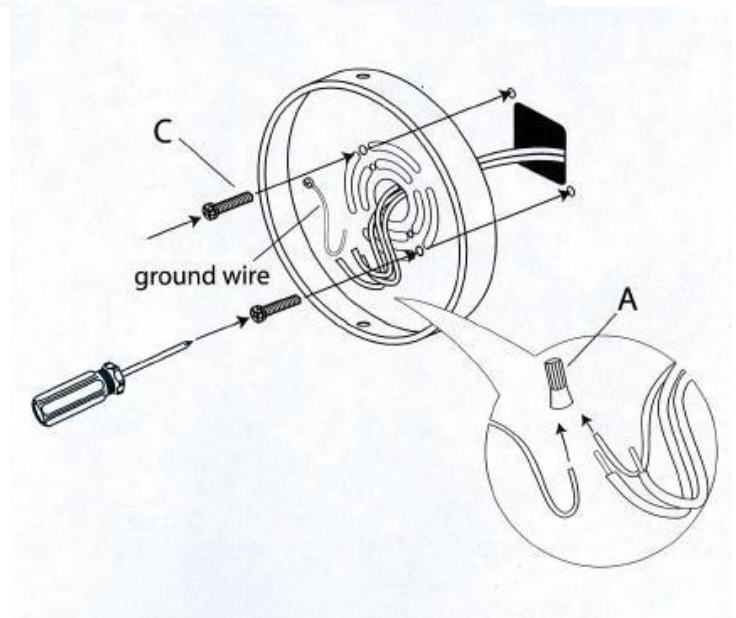
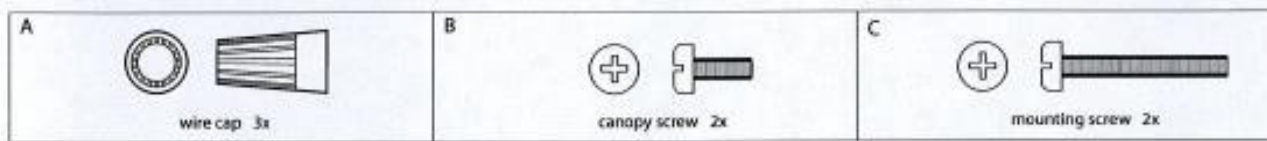
ITEM NO: #DWI01

Description: ORGANIC PLASTER SCONCE



These instructions are provided for your safety. It is very important that they are read carefully and completely before beginning installation of this chandelier. **We strongly suggest that all hard wired fixtures be installed by a professional electrician.**

Parts Included:



To Assemble:

1. Attach mounting plate to wall or junction box using mounting screws (C).
2. Connect ground wire from wall to ground wire from lamp using wire caps (A).
3. Attach house wire to lamp wires as shown. Fasten the pairs together with a wire caps (A). **DO NOT REVERSE THE HOT AND NEUTRAL CONNECTIONS OR SAFETY WILL BE COMPROMISED.**
4. Attach front face of light to back plate by inserting canopy screws (B) through predrilled holes in front face and into back plate as shown. Tighten using screwdriver.
5. Insert (1) Type A, **40W BULB / 10W SBLED / 9W SBLED** (not included) into the socket. **DO NOT EXCEED SPECIFIED WATTAGE.**

CARE INSTRUCTIONS

Wipe with a soft, dry cloth. To protect finish, avoid the use of chemicals and household cleaners.