

# ASSEMBLY INSTRUCTIONS

ITEM #DWC15 /WATKINS SCONCE

## ITEM DESCRIPTION

MATERIAL TYPE: IRON + CRYSTAL  
 FINISH : EBN + FROSTED SMOKE K9 + SMOKE K9  
 COAT/SEALANT  
 SOCKET TYPE: LED  
 SOCKET QTY: 4PCS  
 BULB TYPE: LED  
 BULB WATTAGE: 4W  
 VOLTAGE: 100V-120V  
 ITEM NET WEIGHT:  
 UL COMPLIANT  
 INSTALLATION ENVIRONMENT: SUITABLE FOR DAMP LOCATIONS



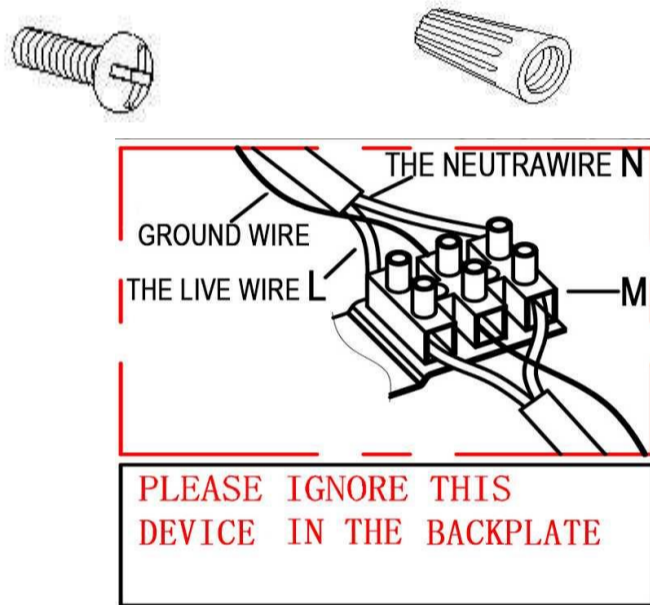
NOTE:  
 \*YOUR PRODUCT(S) MAY BE PACKED IN MORE THAN ONE CARTON  
 \*THIS ITEM MAY REQUIRE PERIODIC TIGHTENING  
 \*MIN 75°C SUPPLY CONDUCTORS

## PARTS

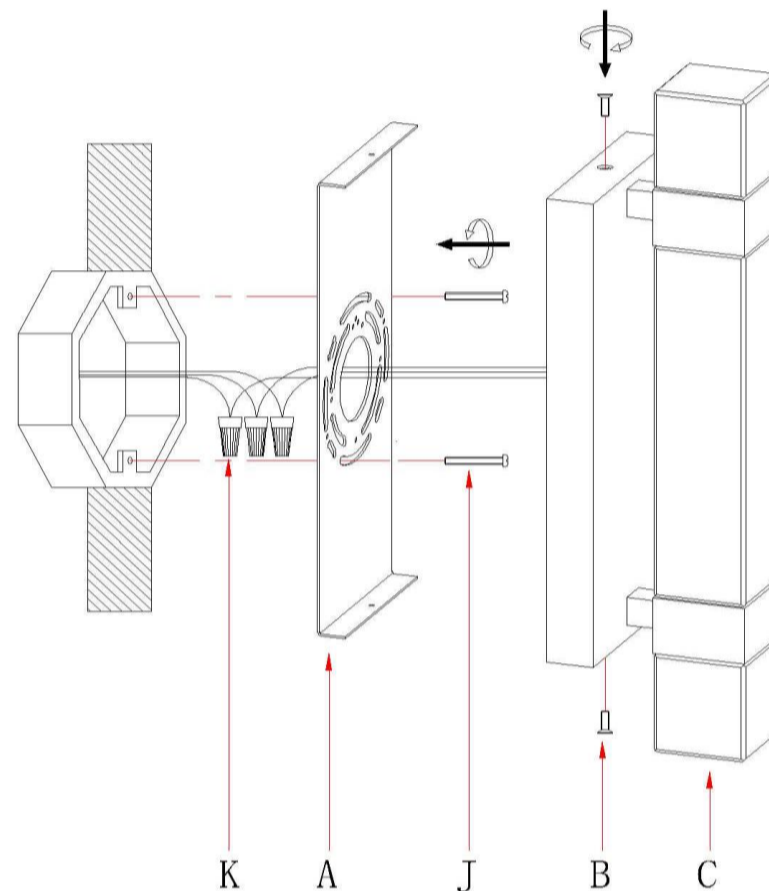
A	MOUNTING PLATE	1 PC
B	SCREW	2PC
C	LAMP BODY	1 PCS

## INCLUDED ASSEMBLY HARDWARE

J MOUNTING SCREWS      K PLASTIC WIRE CONNECTOR:



## PRODUCT ASSEMBLY



## ASSEMBLY INSTRUCTIONS

1. REMOVE ALL PACKING CONTENTS AND PARTS FROM THE CARTON(S) CAREFULLY.
2. PLEASE BE SURE YOU HAVE ALL PARTS INDICATED BEFORE YOU BEGIN ASSEMBLY.
3. SHUT OFF THE MAIN ELECTRICAL SUPPLY FROM THE MAIN FUSE BOX/CIRCUIT BREAKER.
4. PULL THE ELECTRICAL CORD OF "J BOX" THROUGH THE EXIT HOLE OF THE MOUNTING PLATE (A)
5. PLEASE PAY SPECIAL ATTENTION THAT YOU DO NOT NEED TO CONNECT THE WIRE CONNECT DEVICE (M). IT IS USED FOR THE WIRE CONNECTION FOR EURO-MARKET.
6. CAREFULLY INSPECT THE FIXTURE WIRES. THE NEUTRAL FIXTURE WIRE HAS VERY FINE RIDGES MOLDED INTO ITS PLASTIC COVERING. THE HOT FIXTURE WIRE HAS A SMOOTH COVERING. THE BARE WIRE IS THE GROUNDED WIRE.
7. ATTACH THE GROUND WIRE FROM THE FIXTURE TO THE GROUND JUNCTION BOX WIRE FROM THE OUTLET (USUALLY GREEN OR BARE WIRE). FASTEN EACH TOGETHER WITH A PLASTIC WIRE CONNECTOR (K) AND WRAP THE CONNECTION WITH ELECTRICAL TAPE. IF YOUR OUTLET BOX DOES NOT HAVE A GROUND WIRE, INSERT THE GREEN GROUND SCREW INTO THE MOUNTING PLATE (A) FACING DOWN, AND WRAP THE FIXTURE'S BARE GROUND WIRE AROUND THE GROUND SCREW. **IT IS IMPERATIVE THAT THE OUTLET BOX IN YOUR HOME BE PROPERLY GROUNDED.**
8. CONNECT THE NEUTRAL FIXTURE WIRE TO THE NEUTRAL JUNCTION BOX WIRE (USUALLY WHITE). FASTEN EACH TOGETHER WITH A WIRE CONNECTOR (K) AND WRAP THE CONNECTION WITH ELECTRICAL TAPE. BE SURE NO STRANDS ARE EXPOSED.
9. CONNECT THE HOT FIXTURE WIRE TO THE HOT JUNCTION BOX WIRE (USUALLY BLACK). FASTEN EACH TOGETHER WITH A PLASTIC WIRE CONNECTOR (K) AND WRAP THE CONNECTION WITH ELECTRICAL TAPE. BE SURE NO WIRE STRANDS ARE EXPOSED. **DO NOT REVERSE THE HOT AND NEUTRAL CONNECTIONS OR SAFETY WILL BE COMPROMISED.**
10. GENTLY TUCK THE WIRE CONNECTIONS (K) NEATLY INTO THE JUNCTION BOX.
11. ATTACH THE MOUNTING PLATE (A) TO THE OUTLET BOX USING THE MOUNTING SCREWS (J) AND TIGHTEN SCREWS (J) WITH A SCREWDRIVER.
12. ATTACH LAMP BODY (C) TO THE MOUNTING PLATE (A) BY USING THE SCREW (B). TIGHTEN SCREWS WITH SCREWDRIVER.
13. RESTORE POWER TO THE JUNCTION BOX AND TEST FIXTURE.

DUST WITH A DRY CLOTH.

FOR CUSTOMER SERVICE QUESTIONS CALL 1.888.488.8866  
 ARTERIORS HOME: 972.488.9800

ARTERIORS CONTRACT: 972.488.9800 EXT. 321

## DISCLAIMERS

WE RECOMMEND THE INSTALLATION OF THIS ELECTRICAL LIGHT FIXTURE TO BE DONE BY A LICENSED ELECTRICIAN.

ARTERIORS