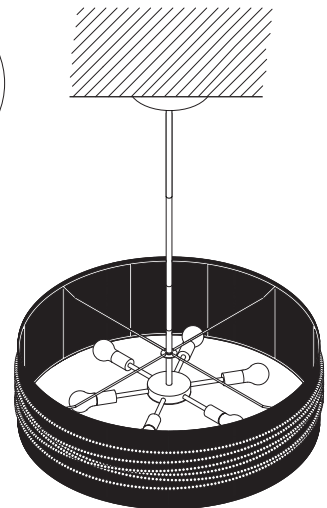
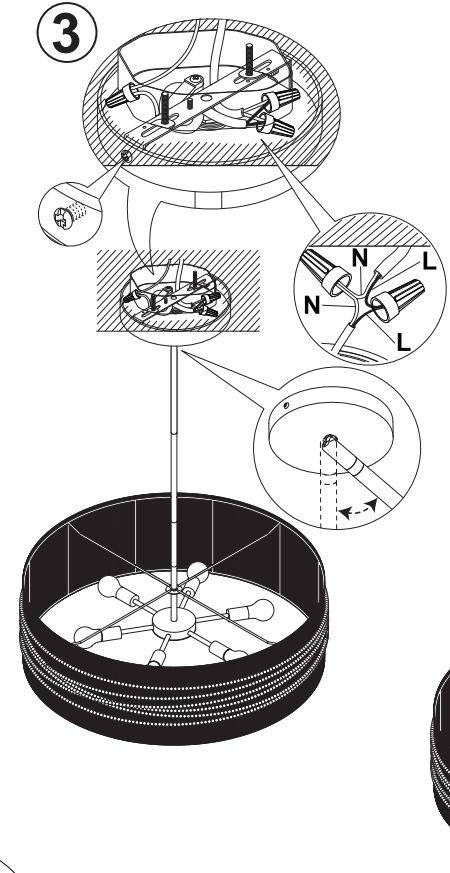
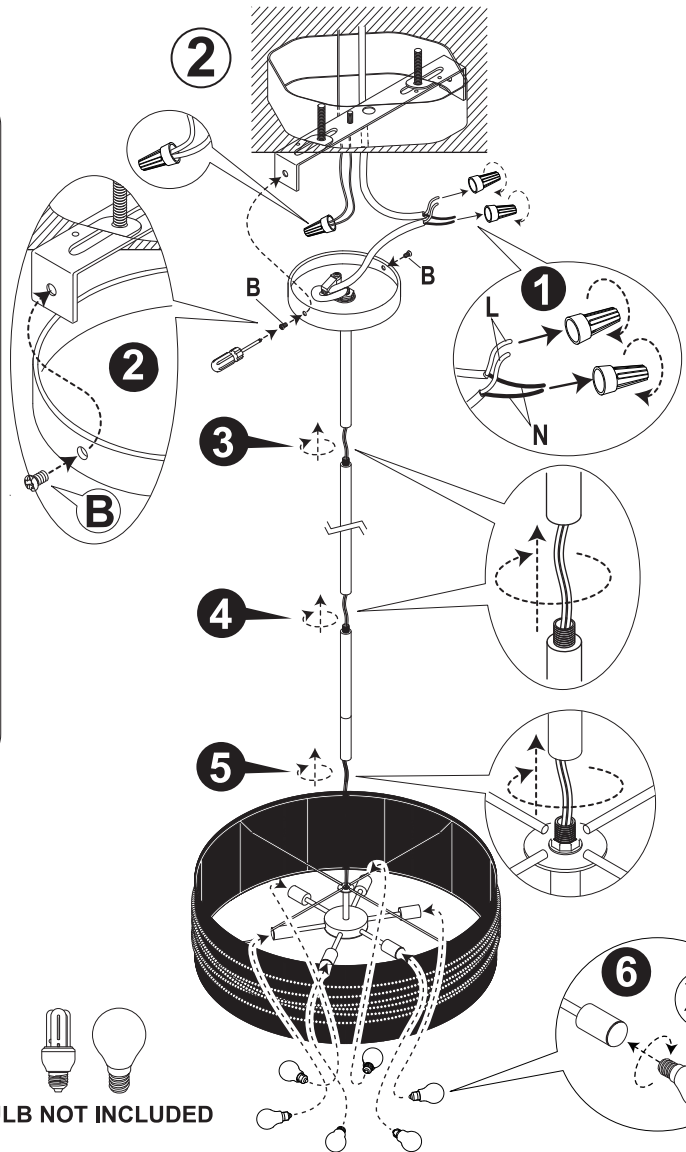
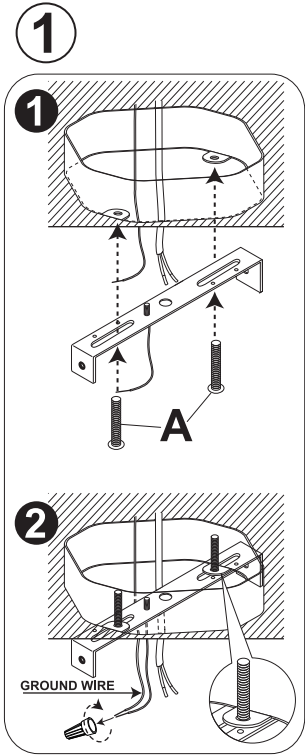


ASSEMBLY INSTRUCTION

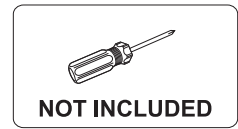
DMS01 LARGE LAYERED WOOD & COCO SHELL CHANDELIER


ARTERIOIRS



HARD WARE LIST

	
A X2	B X2
SCREW	



SIZE: 34"Ø X 10" H.
 MAX 40W,  E12 X 6
 MAX 9W,  E12 X 6

PS-REEA-UL