

Instruction Manual

ITEM#: DA49005

MOUNTING THE FIXTURE, HARDWIRE (Fig. 1)

1. Carefully unpack the fixture and lay out all the parts on a clear area. Take care not to lose any parts necessary for installation.
2. Shut off the power at the circuit breaker and remove the old fixture, including the mounting hardware
3. Position the mounting plate on the wall, and mark location of the mounting holes, drill the holes on the wall, and then inserting the plastic anchors.
4. Attach the mounting plate (A) to the wall junction box using the enclosed mounting screws (B) and tighten screws with screwdriver.

CONNECTING THE WIRES (Fig. 2)

5. At this point, connect the electrical wires as shown in **FIG. 2**, make sure that all wire connectors are secured. If your outlet has a ground wire (green or bare copper), connect the fixture's ground wire to it. Otherwise, connect the fixture's ground wire directly to the circular strap using the green screw provided. Tuck the wire connections neatly into the outlet box.

COMPLETING THE INSTALLATION (Fig. 1)

6. Attach back plate (E) to the mounting plate (A) and secure with 3 flat head screws.
7. Install light bulb (G) into socket (G9 25W or LED 6W – bulb is not included).
(DO NOT EXCEED THE MAXIMUM WATTAGE RATING!)
8. Attach ceramic shade (F) to back plate (E) and screw with glass globe (H) until tight.

FIG.1

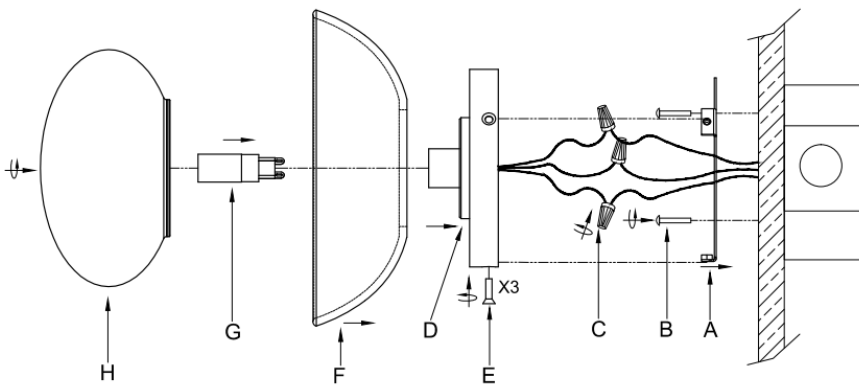
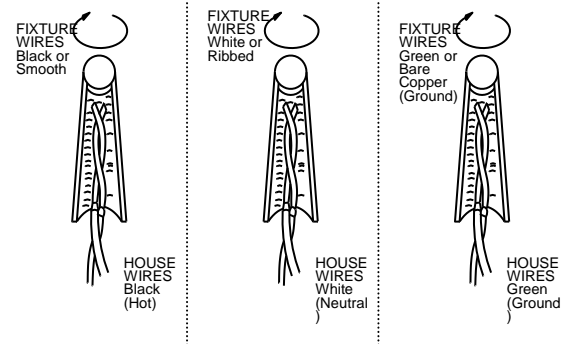


FIG.2



Your installation is now completed, return power to the outlet box and test the fixture.

NOTE: FIXTURE SHOULD BE INSTALLED BY A QUALIFIED ELECTRICIAN TO ENSURE PROPER WIRING AND INSTALLATION.

To clean, use soft cloth only. Do not use any chemical or abrasive cleaners as that may damage the finish and void the product warranty.