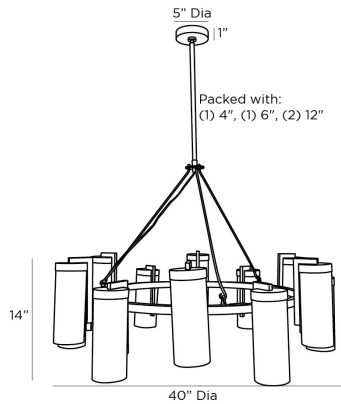


ARTERIOS

RYDER CHANDELIER



89659

H: 32 IN, Dia: 40.00 IN

English Bronze, Matte Swirl Glass

Contract Suitable As Is

A classic chandelier interpreted in an imaginative, modern form, the Ryder is composed in a playful arrangement of matte swirl glass columns in staggered heights. English bronze iron forms the architectural frame and banding around each glass shade, creating bold, beautiful contrast. Finish will vary. Damp-rated, although limited covered outdoor areas may affect finish.

APPEARANCE

Material	Glass, Iron
Material Type	Matte
Finish	English Bronze, Swirl
Finish Will Vary	true
Top Coat/Sealant	true

DIMENSIONS

Chandelier	H: 14 IN, Dia: 40.00 IN
Minimum Hanging Height	32 IN
Maximum Hanging Height	62 IN
Canopy	H: 1 IN, Dia: 5.00 IN

WIRING

	UL,EU,SA
Rating	Damp
Cord	7 FT, Black, SVT
Socket	12, Type B - E12
Maximum Watt	40
Voltage	110-120 V

CERTIFICATIONS

	Mexico
Certifications	United States, Canada

COMPLIANCY

UL/ETL	Yes
RoHS	true

SHIPPING

Product Weight	37 LBS
Gross Weight 1	48 LBS
Shipping Box 1	H: 43.9 IN, L: 15.16 IN, W: 44.29 IN

REPLACEMENT PARTS

Replacement Part 1	PIPE-489
Replacement Part 1 Dim	(1) 4", (1) 6", and (1) 12"
Replacement Part 2	CANOPY-585
Replacement Part 2 Dim	1" x 5"

CONTRACT

Contract Suitable	true
-------------------	------