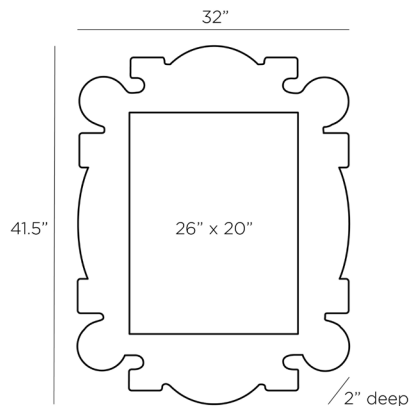


ARTERIOS

MOWGLI MIRROR



5733

H: 41.5 IN, W: 32 IN, D: 2 IN

Tobacco Stained

Contract Suitable As Is

Rich textures and lines come together to form the unique sophistication of this wall mirror. The ornate frame shape is inspired by maximalist style, while its natural hues and modern aesthetic allow this mirror to work in any space. The frame is wrapped in tobacco-stained abaca, known for its durable fibers. Security cleat hanging hardware to hang both vertically and horizontally. Finish will vary.

APPEARANCE

Material	Abaca, Mirror
Finish	Plain, Tobacco Stained
Finish Will Vary	true
Top Coat/Sealant	false

DIMENSIONS

Mirror Size	H: 26 IN, W: 20 IN
-------------	--------------------

SHIPPING

Shipping Requirements	TruckShip
Product Weight	33.84 LBS
Gross Weight 1	47.7 LBS
Shipping Box 1	H: 45.75 IN, L: 35.75 IN, W: 4.75 IN

ADDITIONAL INFO

Hanger Position	Vertical & Horizontal
Hanger Type	Security Cleat
Hanger Size	20", 14"

CONTRACT

Contract Suitable	true
-------------------	------