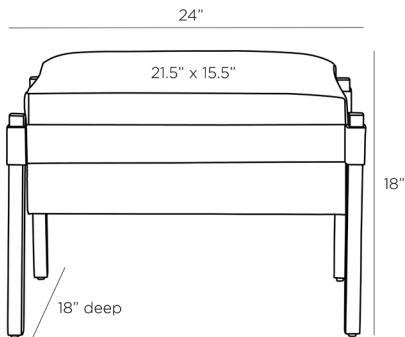


# ARTERIOS

## MOREL STOOL



4656  
H: 18 IN, W: 24 IN, D: 18 IN  
Bronze  
Contract Suitable As Is

The way the materials come together in the Morel is quite striking. A morel leather cushion with a high-gloss bronze finished steel base to complete the composition of this stool. The cushion drops below the frame to expose the entirety of the plush seat — a deceptively simple design that celebrates craftsmanship. Leather will vary.

### APPEARANCE

|                              |                            |
|------------------------------|----------------------------|
| Material                     | Leather, Steel             |
| Finish                       | Bronze, Morel              |
| Finish Will Vary             | true                       |
| Top Coat/Sealant             | false                      |
| Textile Contract Suitability | High Traffic/Public Spaces |

### DIMENSIONS

|                        |                        |
|------------------------|------------------------|
| Foot Print             | W: 24 IN, D: 18 IN     |
| Leg                    | H: 15.5 IN             |
| Seat                   | W: 21.5 IN, D: 15.5 IN |
| Seat Height            | 18 IN                  |
| Seat                   | W: 21.5 IN, D: 15.5 IN |
| Clearance              | 8.5"                   |
| Diagonal Dimension     | 25.5" IN               |
| Seat Cushion Thickness | 9"                     |

### SHIPPING

|                |                                |
|----------------|--------------------------------|
| Product Weight | 32.2 LBS                       |
| Gross Weight 1 | 33.95 LBS                      |
| Shipping Box 1 | H: 27.5 IN, L: 22 IN, W: 22 IN |

### ADDITIONAL INFO

|                      |                      |
|----------------------|----------------------|
| Fabric Compliancy    | NFPA-260, TB117-2013 |
| Fabric Composition   | 100% Leather         |
| Fabric Rub Count     | N/A                  |
| Fabric Cleaning Code | S - dry clean only   |
| Foam Compliancy      | UK Compliant         |

### CONTRACT

|                   |      |
|-------------------|------|
| Contract Suitable | true |
|-------------------|------|