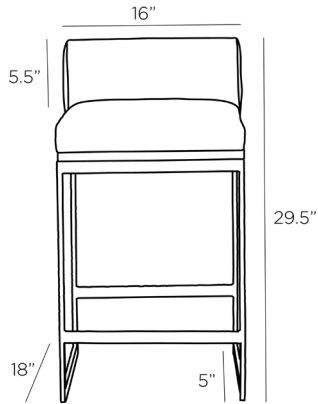


ARTERIOS

MARMONT COUNTER STOOL



2095
H: 29.5 IN, W: 16 IN, D: 18 IN
Graphite Leather
Contract Suitable As Is

Textural, hammered blackened iron. Rich, elegant graphite leather. Natural blonde wood. The trifecta of these materials comes together to form this distinctly modern bar stool. Its masculine air adds a stateliness to a space. Leather and finish will vary. Normal wear and tear marks will appear with use, regular leather conditioning will soften these marks and cracks.

APPEARANCE

Material	Iron, Leather, Oak Wood
Material Type	Hammered
Finish	Blackened Iron, Blonde, Graphite
Finish Will Vary	true
Top Coat/Sealant	false
Textile Contract Suitability	High Traffic/Public Spaces

DIMENSIONS

Foot Print	1
Leg	W: 16 IN, D: 18 IN
Seat Back	H: 21 IN
Seat Cushion Thickness	H: 5.5 IN
Seat	3.5"
Seat Height	W: 16 IN, D: 13.5 IN
Seat	25 IN
Clearance	W: 16 IN, D: 13.5 IN
Diagonal Dimension	5"
	34.5" IN

SHIPPING

Shipping Requirements	TruckShip
Product Weight	32 LBS
Gross Weight 1	40.8 LBS
Shipping Box 1	H: 31.5 IN, L: 20.5 IN, W: 21.65 IN
Shipping Box 2	H: IN

ADDITIONAL INFO

Leg Or Foot Application	None
Fabric Compliancy	NFPA-260, TB117-2013
Fabric Composition	100% Leather
Fabric Rub Count	N/A
Fabric Cleaning Code	S - dry clean only
Fabric Content	100% Leather
Foam Compliancy	UK Compliant, TB117-2013, NFPA-260

CONTRACT

Contract Suitable	true
-------------------	------