

ASSEMBLY INSTRUCTIONS

ITEM NUMBER#89015 | KAMALA CHANDELIER

ITEM DESCRIPTION

MATERIAL TYPE: STEEL, GLASS FINISH: VINTAGE SILVER/SMOKE TOP COAT/SEALANT:
 SOCKET TYPE: E12 CERAMIC SOCKET QTY: 8
 BULB TYPE: TYPE B BULB WATTAGE: 25W VOLTAGE: 110V-120V
 ITEM NET WEIGHT:

UL COMPLAINT
 INSTALLATION ENVIRONMENT: SUITABLE FOR DAMP LOCATIONS

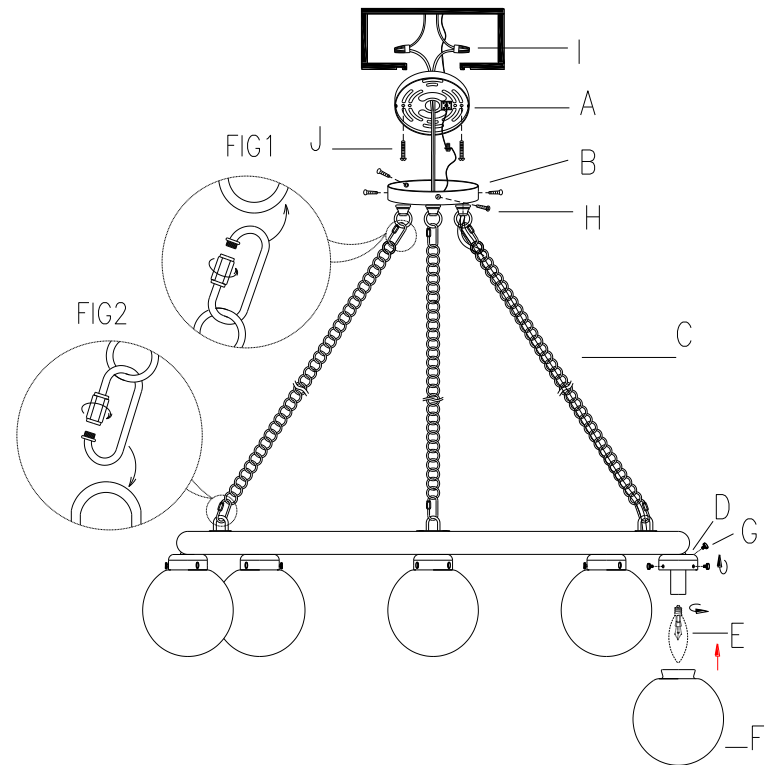


NOTE:
 *YOUR PRODUCT(S) MAY BE PACKED IN MORE THAN ONE CARTON
 *THIS ITEM MAY REQUIRE PERIODIC TIGHTENING

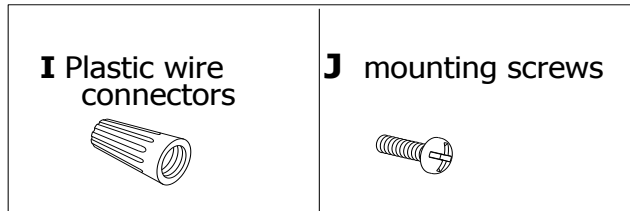
PARTS

A	MOUNTING PLATE	1 PC
B	CANOPY	1 PC
C	CHAIN	3 PCS
D	LAMP CUP	8 PCS
F	GLASS SPHERE	8 PCS
G	SET SCREW	24 PCS
H	CANOPY SCREW	4 PCS

PRODUCT ASSEMBLY



INCLUDED ASSEMBLY HARDWARE



ASSEMBLY INSTRUCTIONS

1. REMOVE ALL PACKING CONTENTS FROM THE CARTON(S) CAREFULLY.
2. REMOVE ALL PARTS FROM THE PACKAGE(S) CAREFULLY.
3. SHUT OFF THE MAIN ELECTRICAL SUPPLY FROM THE MAIN FUSE BOX/CIRCUIT BREAKER
4. UNSCREW THE SET SCREWS (G) OFF THE METAL CUP, INSERT TYPE B 25W BULB (E, NOT INCLUDED) IN THE SOCKET. **DO NOT EXCEED SPECIFIED WATTAGE.**
5. ATTACH THE GLASS SPHERE (F) TO THE METAL CUP (D) PROPERLY, AND TIGHTEN THE SET SCREWS (G) IN THE DESIRED HOLE UNTIL SECURE. REPEAT THE ABOVE OPERATIONS ON THE REMAINING 7 GLASS SPHERES.
6. GENTLY PULL WIRING DOWN FROM CEILING JUNCTION BOX AND ALLOW IT TO HANG.
7. REMOVE THE MOUNTING PLATE (A) FROM THE CANOPY (B) BY LOOSENING CANOPY SCREWS (H) WITH A SCREWDRIVER.
8. CAREFULLY INSPECT THE PENDANT'S FIXTURE WIRES. THE NEUTRAL FIXTURE WIRE HAS A SMOOTH COVERING. THE BARE SILVER WIRE IS THE GROUNDED WIRE.
9. ATTACH THE GROUND WIRE FROM THE FIXTURE TO THE GROUND JUNCTION BOX WIRE FROM THE OUTLET (USUALLY GREEN OR BARE WIRE). FASTEN EACH TOGETHER WITH A PLASTIC WIRE CONNECTOR (I) AND WRAP THE CONNECTION WITH ELECTRICAL TAPE. IF YOUR OUTLET BOX DOES NOT HAVE A GROUND WIRE, INSERT THE GREEN GROUND SCREW INTO THE MOUNTING PLATE (A) FACING DOWN, AND WRAP THE FIXTURE'S BARE GROUND WIRE AROUND THE GROUND SCREW. **IT IS IMPERATIVE THAT THE OUTLET BOX IN YOUR HOME BE PROPERLY GROUNDED.**
10. CONNECT THE NEUTRAL FIXTURE WIRE TO THE NEUTRAL JUNCTION BOX WIRE (USUALLY WHITE). FASTEN EACH TOGETHER WITH A WIRE CONNECTOR (I) AND WRAP THE CONNECTION WITH ELECTRICAL TAPE. BE SURE NO STRANDS ARE EXPOSED.
11. CONNECT THE HOT FIXTURE WIRE TO THE HOT JUNCTION BOX WIRE (USUALLY BLACK). FASTEN EACH TOGETHER WITH A PLASTIC WIRE CONNECTOR (G) AND WRAP THE CONNECTION WITH ELECTRICAL TAPE. BE SURE NO WIRE STRANDS ARE EXPOSED. **DO NOT REVERSE THE HOT AND NEUTRAL CONNECTIONS OR SAFETY WILL BE COMPROMISED.**
12. GENTLY TUCK THE WIRE CONNECTIONS NEATLY INTO THE CEILING JUNCTION BOX.
13. ATTACH THE MOUNTING PLATE (A) WITH NIPPLE TO THE CEILING OUTLET BOX USING THE ENCLOSED MOUNTING SCREWS (J) AND TIGHTEN SCREWS WITH A SCREWDRIVER.
14. PUSH COLLAR LOOP IN CANOPY (B) AND THREAD ONTO NIPPLE IN MOUNTING PLATE (A) BY TURNING IN A CLOCKWISE DIRECTION
15. CONNECT THE CHAIN (C) TO THE MAIN BODY AND TO CANOPY BY USING THE CHAIN CONNECTORS AS SHOWN IN FIG 1 & FIG 2. REPEAT WITH THE REMAINING 2 CHAINS. GENTLY LOWER THE CHANDELIER UNTIL THE CHAIN IS FULLY EXTENDED.

CARE & MAINTENANCE

FOR CUSTOMER SERVICE QUESTION CALL 1.888.488.8866
 ARTERIORS HOME: 972.488.9800
 ARTERIORS CONTRACT: 972.488.9800 EXT. 321

DUST WITH A DRY CLOTH.
DISCLAIMERS

WE RECOMMEND THE INSTALLATION OF THIS ELECTRICAL LIGHT FIXTURE TO BE DONE BY A LICENSED ELECTRICIAN.