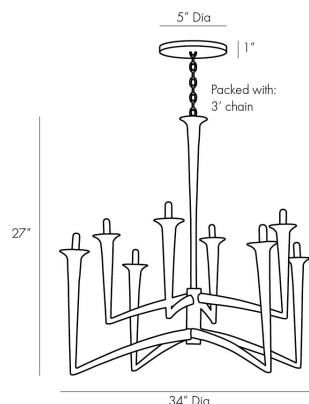


# ARTERIOS

## ISMA CHANDELIER



84062  
 H: 28 IN, Dia: 34.00 IN  
 White Gesso  
 Contract Suitable As Is

A slight departure from a centuries-old design, this chandelier takes a more modern approach with its angular aesthetic. The tiered silhouette features a candelabra-style construction that showcases eight trumpet-shaped arms. Its solid iron foundation is finished in white gesso to contemporize the look. Its versatile appeal allows this piece to light a series of spaces. Finish will vary. Additional chain available (CHN-236). Damp rated, though limited outdoor conditions may affect finish. Damp-rated, although limited covered outdoor areas may affect finish.

### APPEARANCE

|                  |             |
|------------------|-------------|
| Material         | Iron        |
| Finish           | White Gesso |
| Finish Will Vary | true        |
| Top Coat/Sealant | true        |
| Link             | Welded      |

### DIMENSIONS

|                        |                         |
|------------------------|-------------------------|
| Chandelier             | H: 27 IN, Dia: 34.00 IN |
| Minimum Hanging Height | 28 IN                   |
| Maximum Hanging Height | 64 IN                   |
| Canopy                 | H: 1 IN, Dia: 5.00 IN   |

### WIRING

|                    |                                 |
|--------------------|---------------------------------|
|                    | UL,EU,SA                        |
| Rating             | Damp                            |
| Certification Note | CANNOT BE REWIRED FOR INTL USE. |
| Cord               | 10 FT, Clear/Silver, SVT        |
| Socket             | 8, Type B - E12                 |
| Photographed Bulb  | Small Clear Tubular Bulb        |
| Maximum Watt       | 40                              |
| Voltage            | 110-120 V                       |

### CERTIFICATIONS

|                |                       |
|----------------|-----------------------|
|                | Mexico                |
| Certifications | United States, Canada |

### COMPLIANCY

|        |      |
|--------|------|
| UL/ETL | Yes  |
| RoHS   | true |

### SHIPPING

|                |                                  |
|----------------|----------------------------------|
| Product Weight | 13.23 LBS                        |
| Gross Weight 1 | 33.96 LBS                        |
| Shipping Box 1 | H: 17.5 IN, L: 17.5 IN, W: 20 IN |

### REPLACEMENT PARTS

|                        |            |
|------------------------|------------|
| Replacement Part 1     | CHN-236    |
| Replacement Part 1 Dim | 3' chain   |
| Replacement Part 2     | CANOPY-500 |
| Replacement Part 2 Dim | 1" x 5"    |

### CONTRACT

|                   |      |
|-------------------|------|
| Contract Suitable | true |
|-------------------|------|