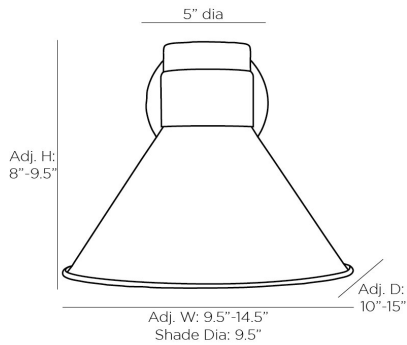


ARTERIOS

LANE SCONCE



49201

Cadet Blue

Contract Suitable As Is

The Lane showcases a schoolhouse-inspired shade that delivers a retro yet modern look. An antique brass steel frame contrasts the cadet blue steel shade. The shade pivots allowing the choice of light direction. Damp-rated, although limited covered outdoor areas may affect finish.

APPEARANCE

Material	Steel
Finish	Antique Brass, Cadet Blue
Top Coat/Sealant	true

DIMENSIONS

	9.50
Center Of Mount From Btm	5.5 IN
Arm	D: 5 IN
Backplate	Dia: 5.00 IN, D: 1 IN
Mount	Dia: 4.50 IN

WIRING

	UL,EU,SA
Rating	Damp
Cord	1 FT, Black, SVT
Socket	1, Type A - E26
Maximum Watt	60
Voltage	110-120 V

CERTIFICATIONS

	Mexico
Certifications	United States, Canada

COMPLIANCY

UL/ETL	Yes
RoHS	false

SHIPPING

Shipping Requirements	Prop65
Product Weight	3 LBS
Gross Weight 1	4.2 LBS
Shipping Box 1	H: 33.46 IN, L: 14.96 IN, W: 27.46 IN

ADDITIONAL INFO

Hanging Orientation	Horizontal and Vertical
---------------------	-------------------------

CONTRACT

Contract Suitable	true
-------------------	------