

ASSEMBLY INSTRUCTIONS

ITEM # 49109 | Faceted Snow Marble Sconce

ITEM DESCRIPTION

MATERIAL TYPE: STEEL / MARBLE FINISH :ANTIQUE BRASS + SNOW MARBLE TOP COAT/SEALANT:
SOCKET TYPE: E12 CERAMIC SOCKET QTY: 2
BULB TYPE: TYPE B BULB WATTAGE: **MAX 8W LED BULB ONLY** VOLTAGE:110V-120V
ITEM NET WEIGHT:
UL COMPLIANT
INSTALLATION ENVIRONMENT:SUITABLE FOR DAMP LOCATIONS

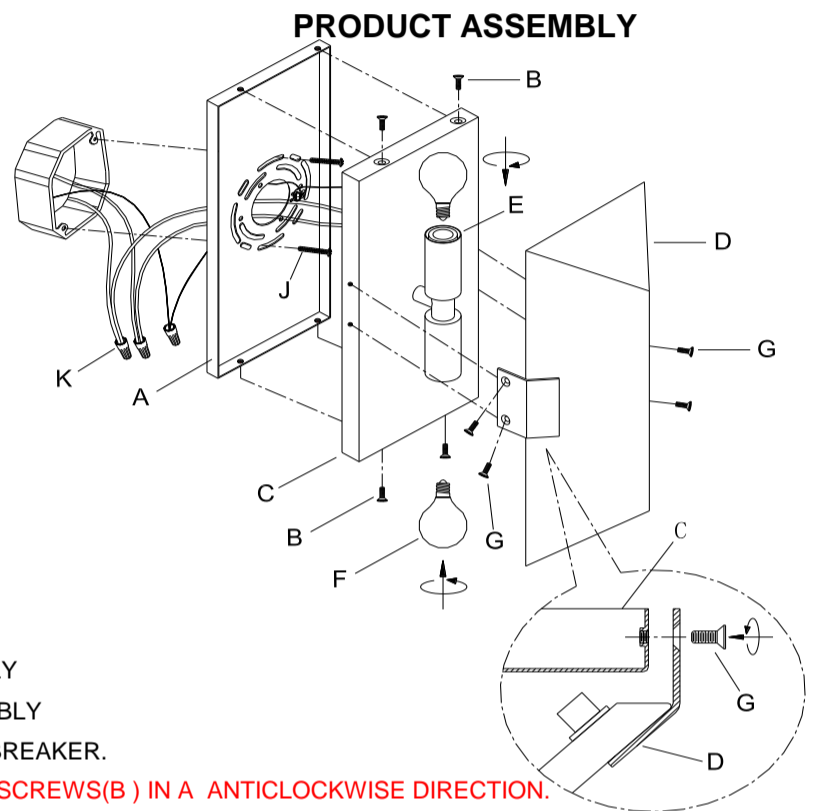
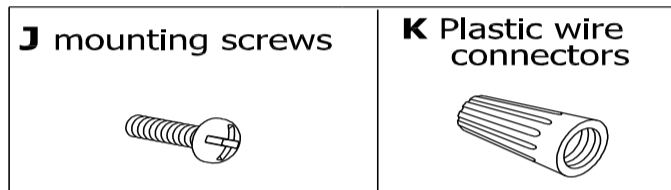


NOTE:
*YOUR PRODUCT(S) MAY BE PACKED IN MORE THAN ONE CARTON
*THIS ITEM MAY REQUIRE PERIODIC TIGHTENING

PARTS

A	MOUNTING PLATE	1 PC
B	SET SCREWS	4 PCS
C	LAMP BODY	1 PC
D	SNOW MARBLE SHADE	1 PC
E	SOCKETS	1 PC
F	BULB(NOT INCLUDED)	1 PC
G	SCREWS	4 PCS

INCLUDED ASSEMBLY HARDWARE



ASSEMBLY INSTRUCTIONS

- 1.REMOVE ALL PACKING CONTENTS AND PARTS FROM THE CARTON(S)CAREFULLY
- 2.PLEASE BE SURE YOU HAVE ALL PARTS INDICATED BEFORE YOU BEGIN ASSEMBLY
- 3.SHUT OFF THE MAIN ELECTRICAL SUPPLY FROM THE MAIN FUSE BOX/CIRCUIT BREAKER.
- 4.**REMOVE THE MOUNTING PLATE (A) FROM THE LAMP BODY(C) BY TURNING SET SCREWS(B) IN A ANTICLOCKWISE DIRECTION.**
- 5.PULL THE ELECTRICAL CORD OF "J BOX"THROUGH THE EXIT HOLE OF THE MOUNTING PLATE(A)
- 6.**CAREFULLY INSPECT THE FIXTURE WIRES. THE NEUTRAL FIXTURE WIRE HAS VERY FINE RIDEGS MOLDED INTO ITS PLASTIC COVERING. THE HOT FIXTURE WIRE HAS A SMOOTH COVERING.THE BARE WIRE IS THE GROUNDED WIRE.**
7. ATTACH THE GROUND WIRE FROM THE FIXTURE TO THE GROUND JUNCTION BOX WIRE FROM THE OUTLET (USUALLY GREEN OR BARE WIRE). FASTEN EACH TOGETHER WITH A PLASTIC WIRE CONNECTOR (K) AND WRAP THE CONNECTION WITH ELECTRICAL TAPE. IF YOUR OUTLET BOX DOES NOT HAVE A GROUND WIRE, INSERT THE GREEN GROUND SCREW INTO THE MOUNTING PLATE (A) FACING DOWN, AND WRAP THE FIXTURE'S BARE GROUND WIRE AROUND THE GROUND SCREW. **IT IS IMPERATIVE THAT THE OUTLET BOX IN YOUR HOME BE PROPERLY GROUNDED.**
8. CONNECT THE NEUTRAL FIXTURE WIRE TO THE NEUTRAL JUNCTION BOX WIRE (USUALLY WHITE). FASTEN EACH TOGETHER WITH A WIRE CONNECTOR (K) AND WRAP THE.CONNECTION WITH ELECTRICAL TAPE. BE SURE NO STRANDS ARE EXPOSED.
- 9.CONNECT THE HOT FIXTURE WIRE TO THE HOT JUNCTION BOX WIRE (USUALLY BLACK). FASTEN EACH TOGETHER WITH A PLASTIC WIRE CONNECTOR (K) AND WRAP THE CONNECTION WITH ELECTRICAL TAPE. BE SURE NO WIRE STRANDS ARE EXPOSED. **DO NOT REVERSE THE HOT AND NEUTRAL CONNECTIONS OR SAFETY WILL BE COMPROMISED.**
10. GENTLY TUCK THE WIRE CONNECTIONS NEATLY INTO THE JUNCTION BOX.
- 11.ATTACH THE MOUNTING PLATE (A) TO THE OUTLET BOX BY USING THE MOUNTING SCREWS(J),TIGHTEN SCREWS(J) WITH A SCREWDRIVER.
- 12.ATTACH THE LAMP BODY(C) TO THE MOUNTING PLATE(A) BY USING THE ENCLOSED SET SCREWS(B). TIGHTEN SCREWS(B) WITH SCREWDRIVER.
- 13.INSERT 2 TYPE B MAX 8W LED BULBS (F) ONLY (NOT INCLUDED) INTO THE SOCKETS(E).**DO NOT EXCEED SPECIFIED WATTAGE.**
- 14.ATTACH SNOW MARBLE SHADE (D) INTO THE LAMP BODY(C),AND THEN TIGHTEN THE SNOW MARBLE SHADE(D) BY 4 SCREWS (G) TO SECURE THE SNOW MARBLE SHADE(D).
- 15.RESTORE POWER TO THE JUNCTION BOX AND TEST FIXTURE.

CARE & MAINTENANCE

DUST WITH A DRY CLOTH.

FOR CUSTOMER SERVICE QUESTIONS CALL 1.888.488.8866

ARTERIOS HOME:972.488.9800

ARTERIOS CONTRACT:972.488.9800 EXT.321

DISCLAIMERS

WE RECOMMEND THE INSTALLATION OF THIS ELECTRICAL LIGHT FIXTURE TO BE DONE BY A LICENSED ELECTRICIAN.

ARTERIOS