

ASSEMBLY INSTRUCTIONS

ITEM DESCRIPTION

MATERIAL TYPE: Metal / Charcoal Rice Stone FINISH :AB Metal TOP COAT/SEA
SOCKET TYPE: E26 ALUMINUM SOCKET QTY:1PC
BULB TYPE: TYPE A BULB WATTAGE: 150W/25W CFL/15W LED VOLT
ITEM NET WEIGHT:11.0KGS

UL COMPLAINT

INSTALLATION ENVIRONMENT: DRY LOCATION

NOTE:

*YOUR PRODUCT(S) MAY BE PACKED IN MORE THAN ONE
*THIS ITEM MAY REQUIRE PERIODIC TIGHTENING

PARTS

A	BODY	1PC
B	SADDLE	1PC
C	HARP	1PC
D	SHADE	1PC
E	FINIAL	1PC

ASSEMBLY INSTRUCTIONS

- 1.REMOVE ALL PACKING CONTENTS FROM THE CARTON(S)
- 1.REMOVE ALL PARTS FROM THE PACKAGE(S) CAREFULLY
- 2.PLEASE BE SURE YOU HAVE ALL PARTS INDICATED BEFORE
- 2.PLACE THE LAMP BODY (A) ON A FLAT, STABLE SURFACE
3. ATTACH HARP (C) TO SADDLE (B)
- 4.PLACE SHADE(D)(NOT INCLUDED)ON TOP OF HARP (C)
- 5.PLACE FINIAL(E)ONTO HARP (C) AND TIGHTEN CLOCKWISE
- 6.LAMP AND SHADE ASSEMBLY IS COMPLETED **D**

CARE & MAINTENANCE

FOR CUSTOMER SERVICE QUESTION CALL 1.800.338.2150 **DISCLAIM**
ARTERIOS HOME:972.488.9800 WE RECOMMEN
ARTERIOS CONTRACT:972.488.9800 EXT.321

ITEM # 49077 Sculptural Charcoal Rice Stone TKL

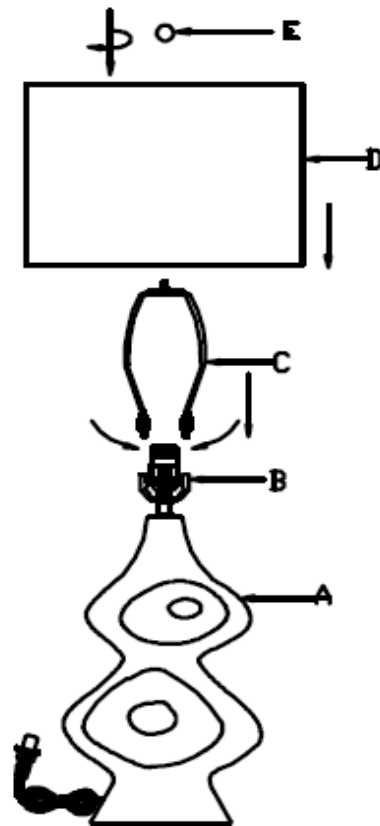
LANT: YES

AGE:110V-120V



CARTON

PRODUCT ASSEMBLY



CAREFULLY

BE CAREFUL WHEN ASSEMBLING

TO SECURE SHADE (D)

DISCLAIMER

THE INSTALLATION OF THIS ELECTRICAL LIGHT FIXTURE TO BE DONE BY A LICENSED ELECTRICIAN.