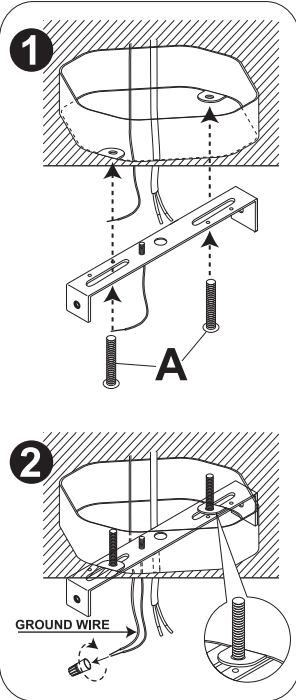




ASSEMBLY INSTRUCTION

45116: RAFFIA PENDANT

ARTERIOORS

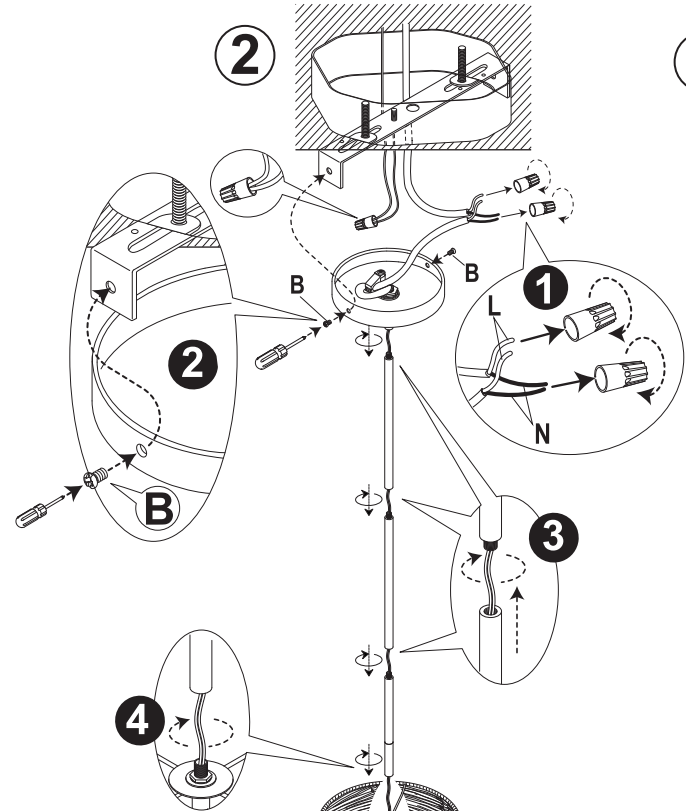
1



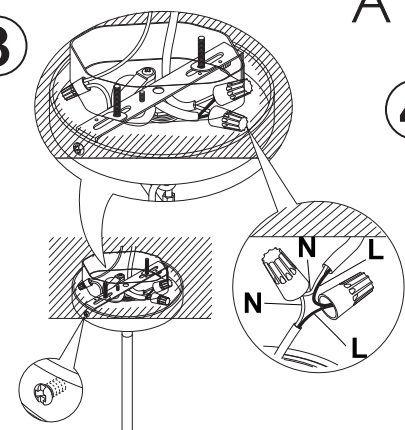
HARD WARE LIST	
 A X2	 B X2
SCREW	



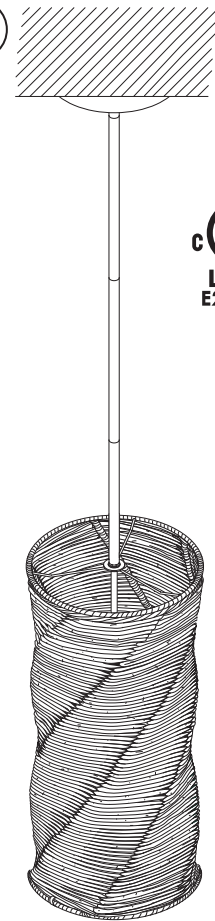
2



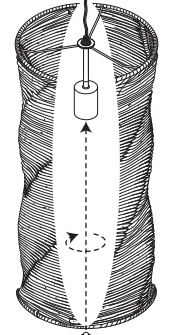
3



4





4



5



SIZE: 10"Ø X 55" H.
 MAX 60W,  E26
 MAX 13W,  E26

PS-RRAX-UL