

# ASSEMBLY INSTRUCTIONS

ITEM # 79843 |OVERSIZED ARC FLOOR LAMP AB

## ITEM DESCRIPTION

MATERIAL TYPE: STEEL, FABRIC FINISH :ANTIQUE BRASS,FABRIC SHADE TOP COAT/SEALANT:  
SOCKET TYPE: E26 CERAMIC SOCKET QTY: 1PC  
BULB TYPE: TYPE A BULB WATTAGE: 150W or/CFL 29W or/LED 25W VOLTAGE:110V-120V  
ITEM NET WEIGHT:  
UL COMPLIANT  
INSTALLATION ENVIRONMENT: DRY LOCATION

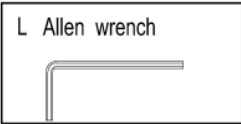


**NOTE:**  
\*YOUR PRODUCT(S) MAY BE PACKED IN MORE THAN ONE CARTON  
\*THIS ITEM MAY REQUIRE PERIODIC TIGHTENING

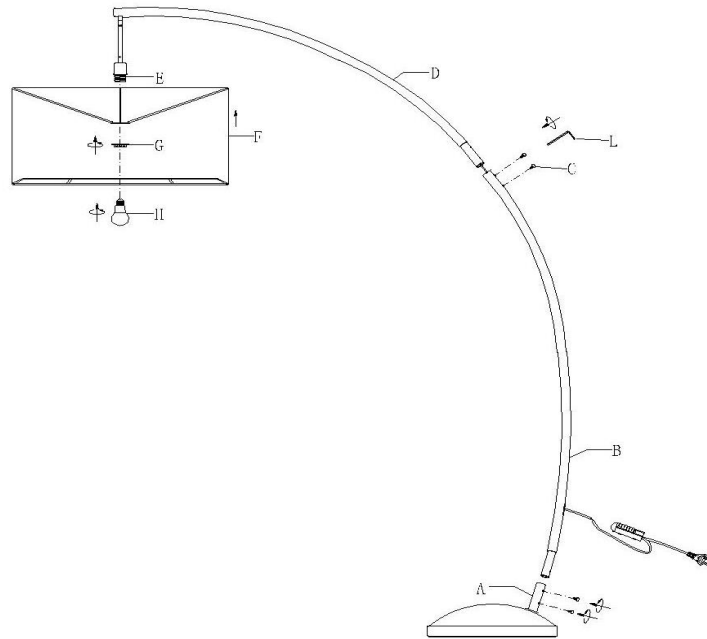
## PARTS

<b>A</b>	LAMP BASE	1 PC
<b>B</b>	ARM-1	1 PC
<b>C</b>	SCREW	6 PCS
<b>D</b>	ARM-2	1 PC
<b>E</b>	SOCKET	1 PC
<b>F</b>	FABRIC SHADE	1 PC
<b>G</b>	SOCKET RING	1 PC
<b>H</b>	BULB	1 PC

## TOOLS NEEDED(INCLUDED)



## PRODUCT ASSEMBLY



## ASSEMBLY INSTRUCTIONS

- 1.REMOVE ALL PACKING CONTENTS AND PARTS FROM THE CARTON(S)CARE
- 2.PLEASE BE SURE YOU HAVE ALL PARTS INDICATED BEFORE YOU BEGIN ASSEMBLY
- 3.PLACE THE LAMP AND PARTS ON A FLAT, STABLE SURFACE.
- 4.INSERT ARM-2(D) IN TO ARM-1(B) AND FIX WITH SCREW(C) BY ALLEN WRANCH(L) TILL TIGHT.
- 5.INSERT ARM(B & D) IN TO THE LAMP BASE(A) AND FIX WITH SCREW(C) IN A CLOCKWISE DIRECTION BY ALLEN WRANCH(L) TILL TIGH.
- 6.ATTACH THE FABRIC SHADE(F) INTO SOCKET(E) AND FIX IT WITH SOCKET RING(G) IN A CLOCKWISE DIRECTION TO SECURE SHADE.
- 7.INSERT 1 TYPE A 150W or/CFL 29W or/LED 25W BULB (NOT INCLUDED) INTO THE SOCKET.
- DO NOT EXCEED SPECIFIED WATTAGE**
- 8.LAMP AND SHADE ASSEMBLY IS COMPLETE.
- 9.THIS LAMP COMES WITH A POLARIZED PLUG AS A FEATURE TO REDUCE RISK OF ELECTRICAL SHOCK.  
IF PLUG DOES NOT FIT IN YOUR OUTLET,THEN CONTACT A LICENSED ELECTRICIAN, NEVER ALTER PLUG.
- 10.REMOVE PLUG FROM WALL OUTLET BEFORE REPLACING LIGHT BULB

## CLEANING INSTRUCTIONS:

TO CLEAN,USE SOFT CLOTH ONLY.DO NOT USE ANY CHEMICAL OR ABRASIVE CLEANERS.

## CARE & MAINTENANCE

DUST WITH A DRY CLOTH.

## DISCLAIMERS

FOR CUSTOMER SERVICE QUESTIONS CALL 1.888.488.8866 WE RECOMMEND THE INSTALLATION OF THIS ELECTRICAL LIGHT FIXTURE TO BE DONE BY A LICENSED ELECTRICIAN.

ARTERIOS HOME:972.488.9800

ARTERIOS CONTRACT:972.488.9800 EXT.321

# ARTERIOS