

ASSEMBLY INSTRUCTIONS

ITEM # 49826 / SCONCE

ITEM DESCRIPTION

MATERIAL TYPE:METAL+GLASS

FINISH :ANTIQUE BRASS

TOP COAT/SEALANT

SOCKET TYPE:E12 CERAMIC

SOCKET QTY: 1PCS

BULB TYPE:TYPE B

BULB WATTAGE:60W or/CFL 12W or/LED 10W

VOLTAGE:110V-120V

ITEM NET WEIGHT:

UL COMPLIANT

INSTALLATION ENVIRONMENT:SUITABLE FOR DAMP LOCATIONS



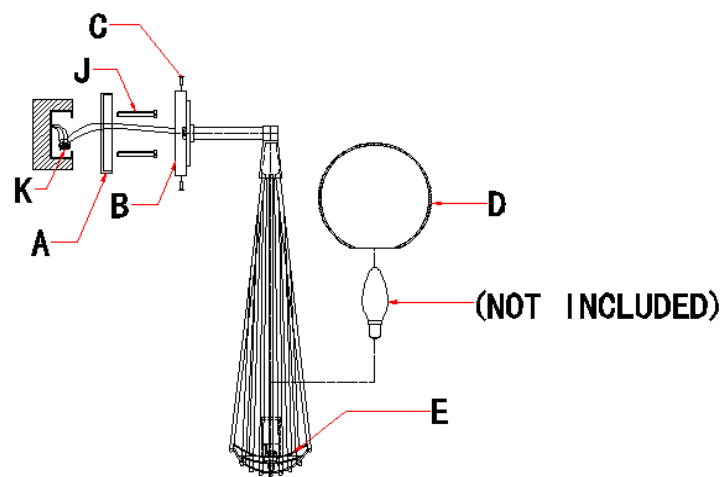
NOTE:

- *YOUR PRODUCT(S) MAY BE PACKED IN MORE THAN ONE CARTON
- *THIS ITEM MAY REQUIRE PERIODIC TIGHTENING
- *MIN 90°C SUPPLY CONDUCTORS

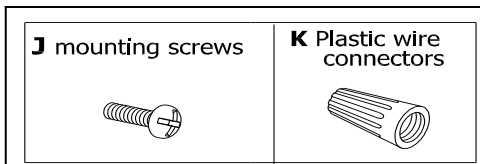
PARTS

A	MOUNTING PLATE	1 PC
B	BACK PLATE	1 PC
C	SET SCREW	2 PCS
D	GLASS SHADE	1 PC
E	SOCKET	1 PC

PRODUCT ASSEMBLY



INCLUDED ASSEMBLY HARDWARE



ASSEMBLY INSTRUCTIONS

- 1.REMOVE ALL PACKING CONTENTS AND PARTS FROM THE CARTON(S)CAREFULLY.
- 2.PLEASE BE SURE YOU HAVE ALL PARTS INDICATED BEFORE YOU BEGIN ASSEMBLY.
- 3.SHUT OFF THE MAIN ELECTRICAL SUPPLY FROM THE MAIN FUSE BOX/CIRCUIT BREAKER.
- 4.PULL THE ELECTRICAL CORD OF "J BOX"THROUGH THE EXIT HOLE OF THE MOUNTING PLATE(A)
- 5.ATTACH THE GROUND WIRE FROM THE FIXTURE TO THE GROUND JUNCTION BOX WIRE FROM THE OUTLET (USUALLY GREEN OR BARE WIRE). FASTEN EACH TOGETHER WITH A PLASTIC WIRE CONNECTOR (K) AND WRAP THE CONNECTION WITH ELECTRICAL TAPE. IF YOUR OUTLET BOX DOES NOT HAVE A GROUND WIRE, INSERT THE GREEN GROUND SCREW INTO THE MOUNTING PLATE (A) FACING DOWN, AND WRAP THE FIXTURE'S BARE GROUND WIRE AROUND THE GROUND SCREW. **IT IS IMPERATIVE THAT THE OUTLET BOX IN YOUR HOME BE PROPERLY GROUNDED.**
- 6.CONNECT THE NEUTRAL FIXTURE WIRE TO THE NEUTRAL JUNCTION BOX WIRE (USUALLY WHITE). FASTEN EACH TOGETHER WITH A WIRE CONNECTOR (K) AND WRAP THE CONNECTION WITH ELECTRICAL TAPE. BE SURE NO STRANDS ARE EXPOSED.
- 7.CONNECT THE HOT FIXTURE WIRE TO THE HOT JUNCTION BOX WIRE (USUALLY BLACK). FASTEN EACH TOGETHER WITH A PLASTIC WIRE CONNECTOR (K) AND WRAP THE CONNECTION WITH ELECTRICAL TAPE. BE SURE NO WIRE STRANDS ARE EXPOSED. **DO NOT REVERSE THE HOT AND NEUTRAL CONNECTIONS OR SAFETY WILL BE COMPROMISED.**
- 8.GENTLY TUCK THE WIRE CONNECTIONS NEATLY INTO THE JUNCTION BOX.
- 9.ATTACH THE MOUNTING PLATE (A) TO THE OUTLET BOX BY USING THE ENCLOSED MOUNTING SCREW (J), AND TIGHTEN IT WITH A SCREWDRIVER.
10. ATTACH THE BACK PLATE (B) ONTO THE MOUNTING PLATE (A) WITH 2PCS SET SCREWS (C), AND TIGHTEN IT WITH A SCREWDRIVER.
10. INSERT 1 TYPE B 60W BULB (OR/CFL 12W OR/LED 10W, NOT INCLUDED) INTO THE SOCKET (E). **DO NOT EXCEED THE SPECIFIED WATTAGE.**
- 11.ATTACH THE GLASS SHADE (D) ON THE SOCKET (E),
- 12.RESTORE POWER TO THE JUNCTION BOX AND TEST FIXTURE.

CARE & MAINTENANCE

DUST WITH A DRY CLOTH.

FOR CUSTOMER SERVICE QUESTIONS CALL 1.888.488.8866

ARTERIORS HOME:972.488.9800

ARTERIORS CONTRACT:972.488.9800 EXT.321

DISCLAIMERS

WE RECOMMEND THE INSTALLATION OF THIS ELECTRICAL LIGHT FIXTURE TO BE DONE BY A LICENSED ELECTRICIAN.

ARTERIORS