

# ASSEMBLY INSTRUCTIONS

ITEM #49799| Obra Sconce



## ITEM DESCRIPTION

MATERIAL TYPE:STEEL.LINEN-COTTON FINISH :PLASTER WHITE.PURE WHITE  
 SOCKET TYPE: E12 CERAMIC SOCKET QTY:1 VOLTAGE:110V-120V  
 BULB TYPE: TYPE B BULB WATTAGE: 60W or/CFL 16W or/LED 13W  
 ITEM NET WEIGHT: TOP COAT/SEALANT:

UL COMPLIANT

INSTALLATION ENVIRONMENT:SUITABLE FOR DAMP LOCATIONS

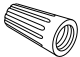

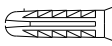

## NOTE:

- \*YOUR PRODUCT(S) MAY BE PACKED IN MORE THAN ONE CARTON
- \*THIS ITEM MAY REQUIRE PERIODIC TIGHTENING

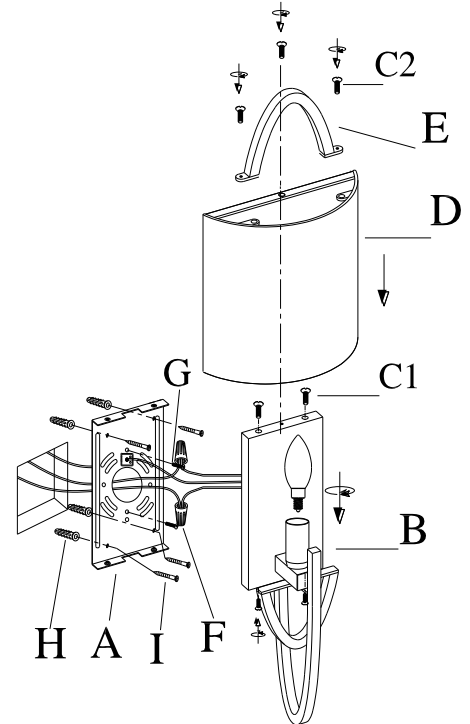
## PARTS

<b>A</b>	<b>MOUNTING PLATE</b>	<b>1 PC</b>
<b>B</b>	<b>BACK PLATE</b>	<b>1 PC</b>
<b>C</b>	<b>PLATE SCREW</b>	<b>7 PCS</b>
<b>D</b>	<b>SHADE</b>	<b>1 PC</b>
<b>E</b>	<b>FINIAL</b>	<b>1 PC</b>

## INCLUDED ASSEMBLY HARDWARE

<b>F</b> Plastic wire connectors 	<b>G</b> Mounting screws 
<b>H</b> Anchor 	<b>I</b> Strengthened screw 

## PRODUCT ASSEMBLY



## ASSEMBLY INSTRUCTIONS

- 1.REMOVE ALL PACKING CONTENTS AND PARTS FROM THE CARTON(S)CAREFULLY
- 2.PLEASE BE SURE YOU HAVE ALL PARTS INDICATED BEFORE YOU BEGIN ASSEMBLY
- 3.TURN OFF POWER TO THE JUNCTION BOX WHERE THE LAMP WILL BE INSTALLED
4. REMOVE THE MOUNTING PLATE (A) FROM THE BACK PLATE (B) BY LOOSE PLATE SCREWS(C1)
- 5.CONNECT THE FINIAL(E)TO THE TOP OF SHADE(D) , ALIGNING THE HOLES AND USE 2PCS SCREWS(C2)TO SECURE TIGHT.
- 6.PLACE THE SHADE(D) ON THE TOP OF BACKPLATE(B),ALIGNING THE HOLE AND USE 1PC SCREW(C2)TO SECURE IT TILL TIGHT.
- 7.PULL THE ELECTRICAL CORD OF "J BOX"THROUGH THE EXIT HOLE OF THE MOUNTING PLATE(A)
8. ATTACH THE GROUND WIRE FROM THE FIXTURE TO THE GROUND JUNCTION BOX WIRE FROM THE OUTLET (USUALLY GREEN OR BARE WIRE). FASTEN EACH TOGETHER WITH A PLASTIC WIRE CONNECTOR (F) AND WRAP THE CONNECTION WITH ELECTRICAL TAPE. IF YOUR OUTLET BOX DOES NOT HAVE A GROUND WIRE, INSERT THE GREEN GROUND SCREW INTO THE MOUNTING PLATE (A) FACING DOWN, AND WRAP THE FIXTURE'S BARE GROUND WIRE AROUND THE GROUND SCREW. **IT IS IMPERATIVE THAT THE OUTLET BOX IN YOUR HOME BE PROPERLY GROUNDED.**
- 9.CONNECT THE NEUTRAL FIXTURE WIRE TO THE NEUTRAL JUNCTION BOX WIRE (USUALLY WHITE). FASTEN EACH TOGETHER WITH A WIRE CONNECTOR (F) AND WRAP THE CONNECTION WITH ELECTRICAL TAPE. BE SURE NO STRANDS ARE EXPOSED.
- 10.CONNECT THE HOT FIXTURE WIRE TO THE HOT JUNCTION BOX WIRE (USUALLY BLACK). FASTEN EACH TOGETHER WITH A PLASTIC WIRE CONNECTOR (F) AND WRAP THE CONNECTION WITH ELECTRICAL TAPE. BE SURE NO WIRE STRANDS ARE EXPOSED. **DO NOT REVERSE THE HOT AND NEUTRAL CONNECTIONS OR SAFETY WILL BE COMPROMISED.**
11. GENTLY TUCK THE WIRE CONNECTIONS NEATLY INTO THE CEILING JUNCTION BOX.
- 12.ATTACH THE MOUNTING PLATE (A) TO THE OUTLET BOX USING THE MOUNTING SCREWS(G).TIGHTEN WITH A SCREWDRIVER.
- 13.IF ATTACH TO CEMENT WALL, USE ANCHOR(H) FIRST THEN SCREW STRENGTHENED SCREWS(I)INTO THE ANCHOR.
- 14.IF ATTACH TO WOOD WALL,THREAD STRENGTHENED SCREW(I)DIRECTLY INTO WALL.
- 15.ATTACH THE BACK PLATE(B) TO THE MOUNTING PLATE(A) USING PLATE SCREWS(C1). TIGHTEN SCREWS WITH A SCREWDRIVER.
- 16.INSTALL ONE TYPE B 60W BULB(OR SUITABLE CFL 16W/LED 13W BULB,NOT INCLUDED)INTO THREADED SOCKET.  
**DO NOT EXCEED SPECIFIED WATTAGE.**

## CARE & MAINTENANCE

DUST WITH A DRY CLOTH.

FOR CUSTOMER SERVICE QUESTIONS CALL 1-800-338-2150

ARTERIOS HOME:972.488.9800

ARTERIOS CONTRACT:972.488.9800 EXT.321

## DISCLAIMERS

WE RECOMMEND THE INSTALLATION OF THIS ELECTRICAL LIGHT FIXTURE TO BE DONE BY A LICENSED ELECTRICIAN.

# ARTERIOS