

ASSEMBLY INSTRUCTION

ITEM #49781 | LED TABLE LAMP

ITEM DESCRIPTION

MATERIAL TYPE:STEEL / GLA FINISH :ENGLISH BRONZE,OPAL GLASS TOP COAT/SEALANT:

SOCKET TYPE: LED

SOCKET QTY: 1PC

BULB TYPE: LED

BULB WATTAGE: LED 6W

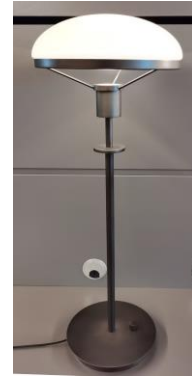
VOLTAGE:110V-120V

ITEM NET WEIGHT:

UL COMPLIANT

INSTALLATION ENVIRONMENT: DRY LOCATION

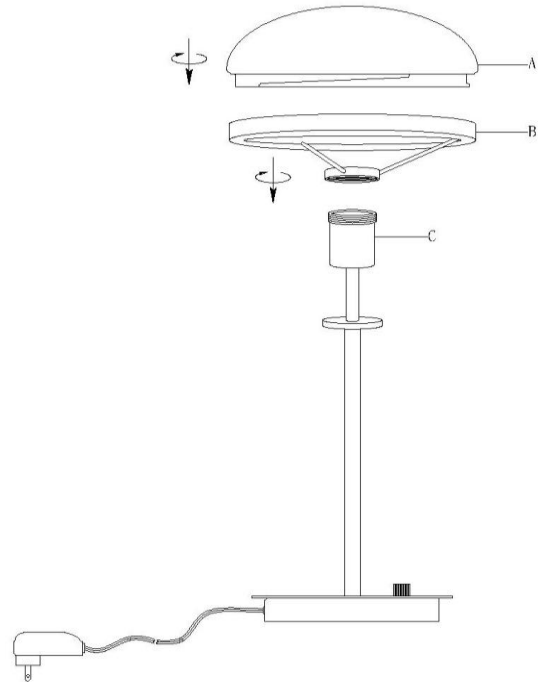
NOTE:
*YOUR PRODUCT(S) MAY BE PACKED IN MORE THAN ONE
CARTON



PARTS

A	GLASS SHADE	1 PC
B	METAL FRAME	1 PC
C	LAMP BASE	1 PC

PRODUCT ASSEMBLY



ASSEMBLY INSTRUCTIONS

- 1.REMOVE ALL PACKING CONTENTS AND PARTS FROM THE CARTON(S)CAREFULLY
- 2.PLEASE BE SURE YOU HAVE ALL PARTS INDICATED BEFORE YOU BEGIN ASSEMBLY
- 3.PLACE THE LAMP BASE (C) ON A FLAT, STABLE SURFACE.
- 4.ATTACH THE METAL FRAME(B) TO THE LAMP BASE(C) THEN TURNING IN A CLOCKWISE DIRECTION TILL TIGHT.
- 5.ATTACH THE GLASS SHADE (A) TO THE METAL FRAME(B) AND SURE SECURE BY TURNING IN A CLOCKWISE DIRECTION.
- 6.LAMP AND SHADE ASSEMBLY IS COMPLETE.
- 7.THIS LAMP COMES WITH A POLARIZED PLUG AS A FEATURE TO REDUCE RISK OF ELECTRICAL SHOCK. IF PLUG DOES NOT FIT IN YOUR OUTLET,THEN CONTACT A LICENSED ELECTRICIAN, NEVER ALTER PLUG.

CLEANING INSTRUCTIONS:

TO CLEAN,USE SOFT CLOTH ONLY.DO NOT USE ANY CHEMICAL OR ABRASIVE CLEANERS.

CARE & MAINTENANCE

DUST WITH A DRY CLOTH.

DISCLAIMERS

FOR CUSTOMER SERVICE QUESTIONS CALL 1.888.488.8866 WE RECOMMEND THE INSTALLATION OF THIS ELECTRICAL LIGHT FIXTURE TO BE DONE BY A LICENSED ELECTRICIAN.

ARTERIORES HOME:972.488.9800

ARTERIORES CONTRACT:972.488.9800 EXT.321

ARTERIORES