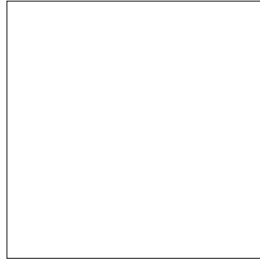
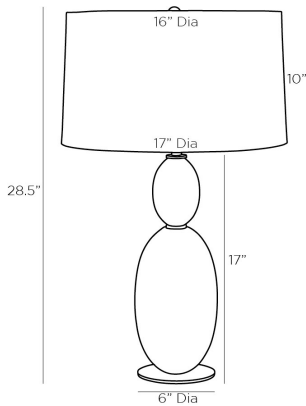


# ARTERIOS

## MINATO LAMP



49759-580  
 H: 28.5 IN, Dia: 17.00 IN  
 Ivory Glass Stone  
 Contract Suitable As Is

Hollywood glam inspired, the feminine silhouette of the Minato is formed by a mixed-material construction of stacked ivory glass stone and clear crystal on an antique brass steel base. Topped with an off-white microfiber drum shade with off-white cotton lining and an antique brass sphere finial. Finish will vary.

### APPEARANCE

Material	Off-White Cotton, Crystal, Glass Stone, Microfiber, Steel
Material Type	Composite
Finish	Antique Brass, Clear, Ivory, Off-White
Finish Will Vary	true
Top Coat/Sealant	true
Finial Description	1" Antique Brass Sphere

### DIMENSIONS

Shade	Top: 16.00 IN, Dia: 17.00 IN, Side: 10 IN
Body	H: 17 IN, Dia: 6.50 IN
Base	H: 0.25 IN, Dia: 6.00 IN
Neck	H: 1.5 IN, Dia: 1.00 IN
Foot Print	Dia: 6.00 IN
Harp	8.5" Brass IN

### WIRING

Rating	3C,AE,AU,EU,SA,UK,UL
Tilt Test	Indoor Only
Cord	10 Degrees - AU 8 FT, Back of Lamp Base, SPT-2, Taupe Fabric
Socket	1, Brass, Type A - E26
Switch	3-Way Rotary, At Socket
Maximum Watt	150
Voltage	110-120 V

### CERTIFICATIONS

Certifications	Mexico Australia, United Arab Emirates, United Kingdom, United States, Canada
----------------	--

### COMPLIANCY

UL/ETL	Yes
CB	Yes
RoHS	true

### SHIPPING

Product Weight	29.67 LBS
Gross Weight 1	26.67 LBS
Gross Weight 2	5 LBS
Shipping Box 1	H: 25 IN, L: 10 IN, W: 10 IN
Shipping Box 2	H: 12 IN, L: 19 IN, W: 19 IN
Shipping Box 3	H: 0

### ADDITIONAL INFO

Shade Shape	Round
Shade Trim	Rolled Edges
Shade Type	Hardback

### REPLACEMENT PARTS

Replacement Part 1	81002
--------------------	-------

### CONTRACT

Contract Suitable	true
-------------------	------