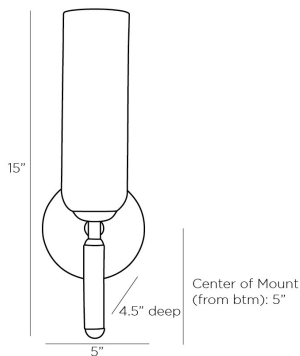


ARTERIOS

NORWALK SCNCE



49111
H: 15 IN, W: 5 IN, D: 4.5 IN
Antique Brass
Contract Suitable As Is

Exceptionally elegant, this sconce showcases a simple silhouette in a subtly unique design. An antique brass iron foundation presents an opal glass shade that houses a single light. A white alabaster post extends from the bottom of the shade for an unexpected element of glamour and style. Damp-rated, although limited covered outdoor areas may affect finish.

APPEARANCE

Material Alabaster, Glass, Iron
Finish Antique Brass, Opal, White
Top Coat/Sealant true

DIMENSIONS

Center Of Mount From Btm 3.00
5 IN
Backplate Dia: 5.00 IN, D: 1 IN
Mount Dia: 4.50 IN

WIRING

Rating UL,EU,SA
Damp
Cord 1 FT, Black/White, SVT
Socket 1, Type B - E12
Photographed Bulb Small Clear Tubular Bulb
Maximum Watt 60
Voltage 110-120 V

CERTIFICATIONS

Certifications Mexico
Australia, European Union, United Arab Emirates, United States, Canada

COMPLIANCY

UL/ETL Yes
CB Yes
RoHS true

SHIPPING

Product Weight 2.2 LBS
Gross Weight 1 3.3 LBS
Shipping Box 1 H: 8.1 IN, L: 17.32 IN, W: 6.7 IN
Shipping Box 3 H: 0

ADDITIONAL INFO

Hanging Orientation Horizontal and Vertical

REPLACEMENT PARTS

Replacement Part 1 49111GLS

CONTRACT

Contract Suitable true