

# ASSEMBLY INSTRUCTIONS

ITEM # 49111 | Opal Glass Wall Sconce

## ITEM DESCRIPTION

MATERIAL TYPE: STEEL, GLASS

FINISH : ANTIQUE BRASS + OPAL GLASS + ALABASTER POST

TOP COAT/SEALANT:

SOCKET TYPE: E14 CERAMIC

SOCKET QTY: 1PC

BULB TYPE: **TYPE B**

BULB WATTAGE: 60W or /CFL 13W

VOLTAGE: 220-240

ITEM NET WEIGHT:

UL COMPLIANT

INSTALLATION ENVIRONMENT: SUITABLE FOR DAMP LOCATIONS



### NOTE:

\*YOUR PRODUCT(S) MAY BE PACKED IN MORE THAN ONE CARTON  
\*THIS ITEM MAY REQUIRE PERIODIC TIGHTENING

## PARTS

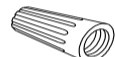
<b>A</b>	<b>MOUNTING PLATE</b>	<b>1 PC</b>
<b>B</b>	<b>BACKPLATE SCREWS</b>	<b>2 PCS</b>
<b>C</b>	<b>LAMP BODY</b>	<b>1 PC</b>
<b>D</b>	<b>ALABASTER POST</b>	<b>1 PC</b>
<b>E</b>	<b>SOCKET</b>	<b>1 PC</b>
<b>F</b>	<b>OPAL GLASS SHADE</b>	<b>1 PC</b>
<b>G</b>	<b>SPACER</b>	<b>1 PC</b>
<b>H</b>	<b>SOCKET RING</b>	<b>1 PC</b>
<b>I</b>	<b>BULB (NOT INCLUDED)</b>	<b>1 PC</b>
<b>L</b>	<b>BULB CLAMP</b>	<b>1 PC</b>

## INCLUDED ASSEMBLY HARDWARE

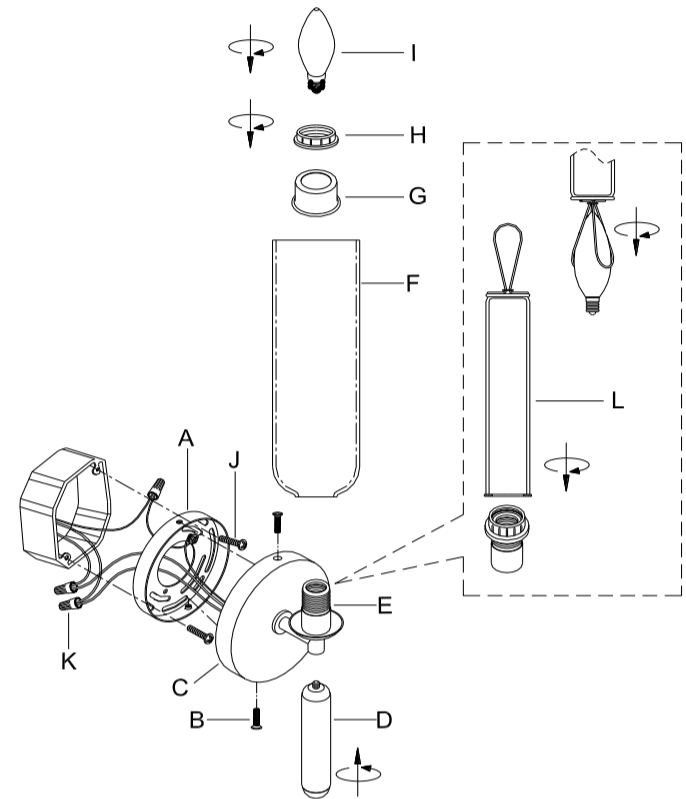
**J** mounting screws



**K** Plastic wire connectors



## PRODUCT ASSEMBLY



## ASSEMBLY INSTRUCTIONS

1. REMOVE ALL PACKING CONTENTS AND PARTS FROM THE CARTON(S) CAREFULLY.
2. PLEASE BE SURE YOU HAVE ALL PARTS INDICATED BEFORE YOU BEGIN ASSEMBLY.
3. SHUT OFF THE MAIN ELECTRICAL SUPPLY FROM THE MAIN FUSE BOX/CIRCUIT BREAKER.
4. REMOVE THE MOUNTING PLATE (A) FROM THE LAMP BODY (C) BY TURNING BACKPLATE SCREW (B) IN AN ANTICLOCKWISE DIRECTION.
5. GENTLY PULL THE ELECTRICAL CORD FROM JUNCTION BOX, THEN PULL THE ELECTRICAL CORD FROM BACK PLATE THROUGH THE EXIT HOLE OF THE MOUNTING PLATE (A).
6. CAREFULLY INSPECT THE FIXTURE WIRES. THE NEUTRAL FIXTURE WIRE HAS VERY FINE RIDGES MOLDED INTO ITS PLASTIC COVERING. THE HOT FIXTURE WIRE HAS A SMOOTH COVERING. THE BARE WIRE IS THE GROUNDED WIRE.
7. ATTACH THE GROUND WIRE FROM THE FIXTURE TO THE GROUND JUNCTION BOX WIRE FROM THE OUTLET (USUALLY GREEN OR BARE WIRE). FASTEN EACH TOGETHER WITH A PLASTIC WIRE CONNECTOR (K) AND WRAP THE CONNECTION WITH ELECTRICAL TAPE. IF YOUR OUTLET BOX DOES NOT HAVE A GROUND WIRE, INSERT THE GREEN GROUND SCREW INTO THE MOUNTING PLATE (A) FACING DOWN, AND WRAP THE FIXTURE'S BARE GROUND WIRE AROUND THE GROUND SCREW. **IT IS IMPERATIVE THAT THE OUTLET BOX IN YOUR HOME BE PROPERLY GROUNDED.**
8. CONNECT THE NEUTRAL FIXTURE WIRE TO THE NEUTRAL JUNCTION BOX WIRE (USUALLY WHITE). FASTEN EACH TOGETHER WITH A WIRE CONNECTOR (K) AND WRAP THE CONNECTION WITH ELECTRICAL TAPE. BE SURE NO STRANDS ARE EXPOSED.
9. CONNECT THE HOT FIXTURE WIRE TO THE HOT JUNCTION BOX WIRE (USUALLY BLACK). FASTEN EACH TOGETHER WITH A PLASTIC WIRE CONNECTOR (K) AND WRAP THE CONNECTION WITH ELECTRICAL TAPE. BE SURE NO WIRE STRANDS ARE EXPOSED. **DO NOT REVERSE THE HOT AND NEUTRAL CONNECTIONS OR SAFETY WILL BE COMPROMISED.**
10. GENTLY TUCK THE WIRE CONNECTIONS NEATLY INTO THE JUNCTION BOX.
11. ATTACH THE MOUNTING PLATE (A) TO THE OUTLET BOX BY USING THE MOUNTING SCREWS (J). TIGHTEN SCREWS (J) WITH SCREWDRIVER.
12. ATTACH THE LAMP BODY (C) TO THE MOUNTING PLATE (A) BY USING THE ENCLOSED BACKPLATE SCREWS (B). TIGHTEN SCREWS (B) WITH SCREWDRIVER.
13. PUT THE GLASS SHADE (F) ONTO THE SOCKET (E), AND PUT SPACER (G) & SOCKET RING (H) INTO THE SOCKET IN TURN. THEN TIGHTEN THE SOCKET RING (H) BY USING THE BULB CLAMP (L) AS DRAWING SHOWN TO SECURE THE GLASS SHADE (F).
14. SCREW THE ALABASTER POST (D) ONTO THE LAMP BODY (C) BOTTOM TILL TIGHT.
15. INSERT 1 TYPE **T** 60W or /CFL 13W BULB (NOT INCLUDED) (I) INTO THE SOCKET (E) BY USING BULB CLAMP (L) AS DRAWING SHOWN. **DO NOT EXCEED SPECIFIED WATTAGE.**
16. RESTORE POWER TO THE JUNCTION BOX AND TEST FIXTURE.

## CARE & MAINTENANCE

DUST WITH A DRY CLOTH.

FOR CUSTOMER SERVICE QUESTIONS CALL 1.888.488.8866

ARTERIORES HOME: 972.488.9800

ARTERIORES CONTRACT: 972.488.9800 EXT.321

## DISCLAIMERS

WE RECOMMEND THE INSTALLATION OF THIS ELECTRICAL LIGHT FIXTURE TO BE DONE BY A LICENSED ELECTRICIAN.

# ARTERIORES