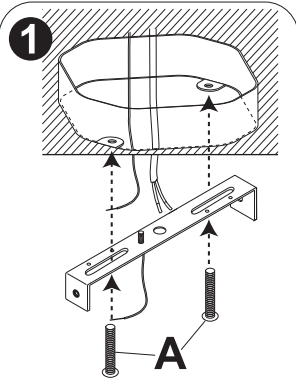
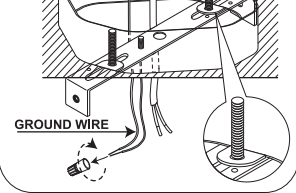


ASSEMBLY INSTRUCTION # 45203: NICOLA PENDANT

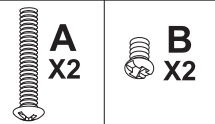
1



2



HARD WARE LIST

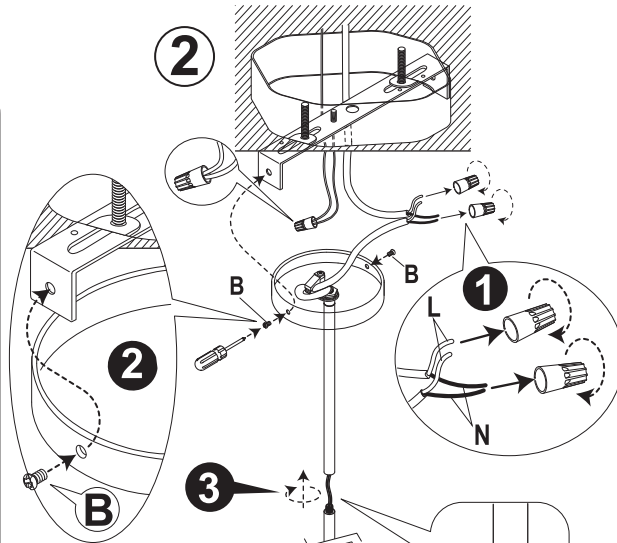


SCREW



BULB NOT INCLUDED

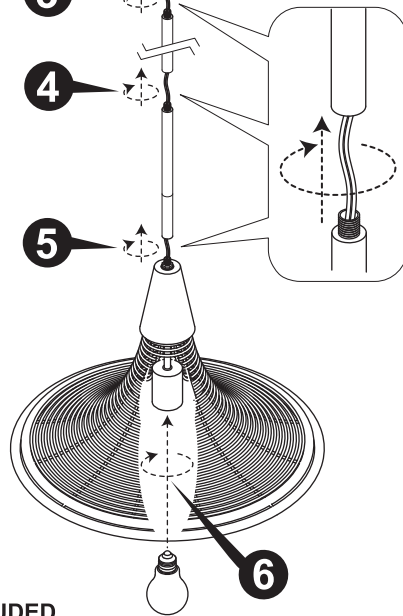
2



3

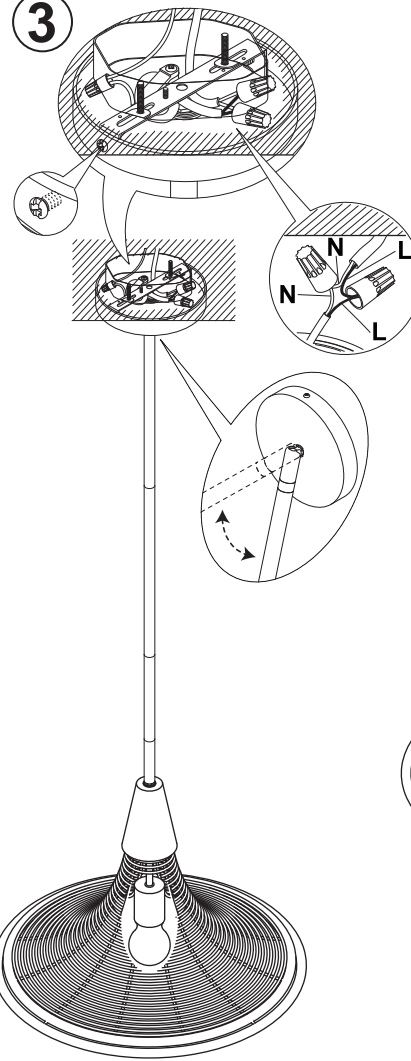
4

5



6

3



ARTERIORS



SIZE: 18"Ø X 13" H.
MAX 60W, E26
MAX 13W, E26

PS-RCCR-UL