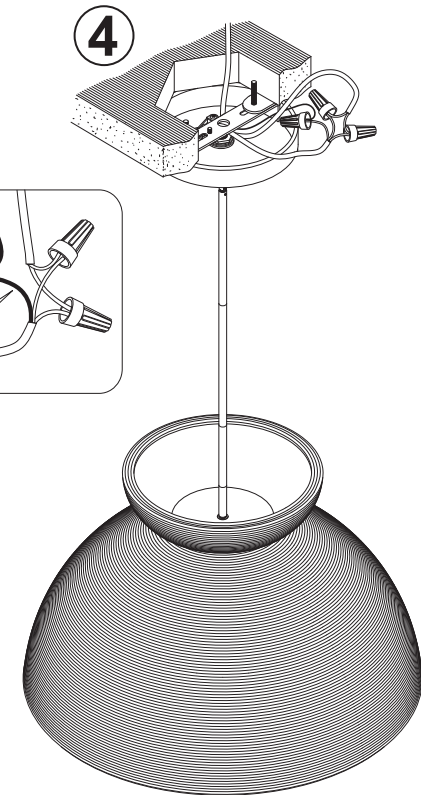
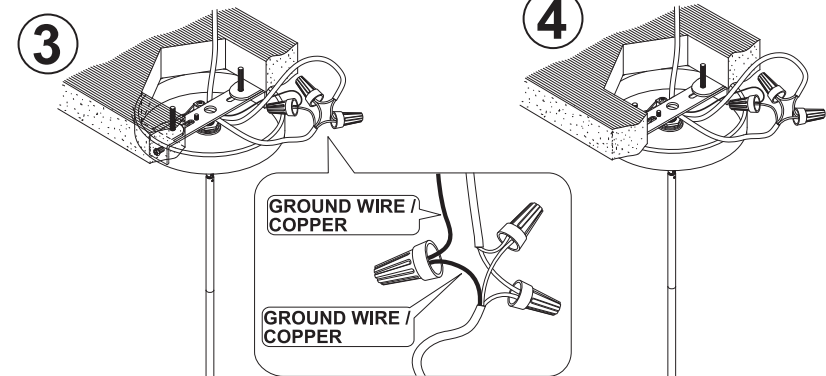
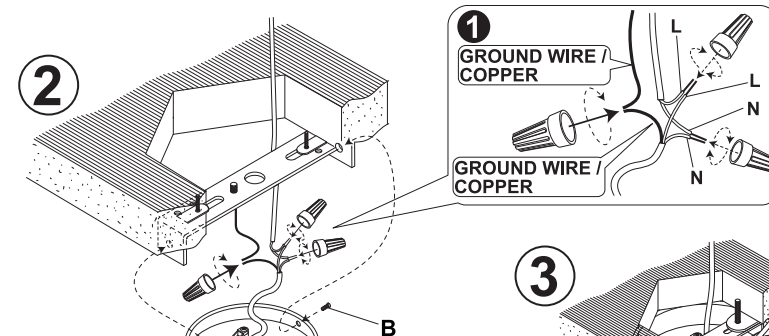
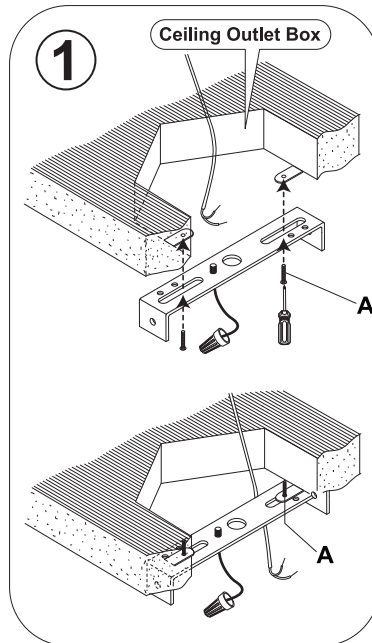


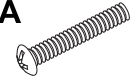
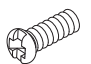
# ASSEMBLY INSTRUCTION

## # 45200: MIDORI PENDANT

ARTERIORES



**Hardware List**

<b>A</b>	<b>B</b>
	
Screw 2 pcs.	Screw Included 2 pcs.

**Tools List**


Not Included

**BULB NOT INCLUDED**

	
---	---

SIZE: 32"Ø X 21" H.  
 MAX 60W,  E26  
 MAX 13W,  E26

PS-RCCV-UL