

ASSEMBLY INSTRUCTIONS

ITEM# 89065 | Oval Glass Chandelier

ITEM DESCRIPTION

MATERIAL TYPE: METAL+ GLASS FINISH: ANTIQUE BRASS + SLUMP GLASS TOP COAT/SEALANT
 SOCKET TYPE: E26 CERAMIC SOCKET QTY: 7PCS
 BULB TYPE: TYPE T BULB WATTAGE: 60W or/CFL 12W or/LED 10W VOLTAGE: 110V-120V
 ITEM NET WEIGHT:
 UL COMPLIANT
 INSTALLATION ENVIRONMENT: SUITABLE FOR DAMP LOCATIONS

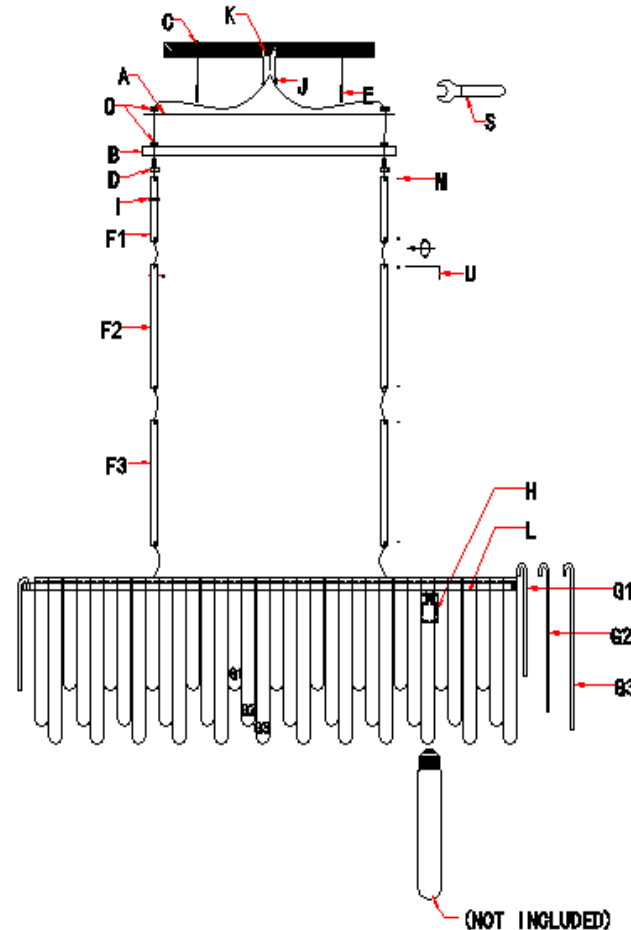


NOTE:
 *YOUR PRODUCT(S) MAY BE PACKED IN MORE THAN ONE CARTON
 *THIS ITEM MAY REQUIRE PERIODIC TIGHTENING
 *MIN 90°C SUPPLY CONDUCTORS

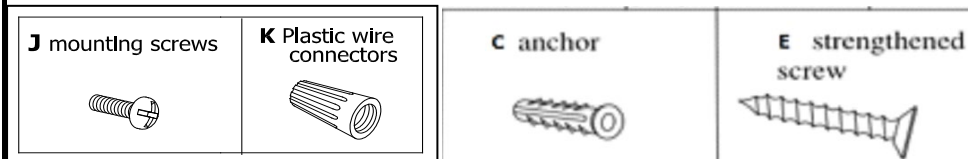
PARTS

A	MOUNTING PLATE	1 PC
B	CANOPY	1 PC
D	NIPPLE	2 PCS
F1.F2.F3	RODS	6 PCS
G1	SMALL GLASS	26 PCS
G2	MEDIUM GLASS	26 PCS
G3	LARGE GLASS	26 PCS
H	SOCKETS	7 PCS
I	COLLAR LOOP	2 PCS
L	LAMP BODY	1 PC
M	HEX SCREWS	12 PCS
O	NUTS	4 PCS

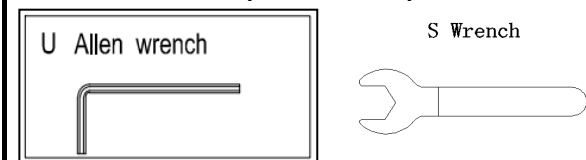
PRODUCT ASSEMBLY



INCLUDED ASSEMBLY HARDWARE



TOOLS NEEDED (INCLUDED)



ASSEMBLY INSTRUCTIONS

1. REMOVE ALL PACKING CONTENTS AND PARTS FROM THE CARTON(S) CAREFULLY.
2. PLEASE BE SURE YOU HAVE ALL PARTS INDICATED BEFORE YOU BEGIN ASSEMBLY.
3. SHUT OFF THE MAIN ELECTRICAL SUPPLY FROM THE MAIN FUSE BOX/CIRCUIT BREAKER.
4. REMOVE THE MOUNTING PLATE (A) FROM THE CANOPY (B) BY REMOVING 2PCS SCREW NUTS (O) IN A COUNTER CLOCKWISE DIRECTION.
5. POSITION FIXTURE IN DESIRED LOCATION ON CEILING. THE MOUNTING PLATE FEATURES (2) HOLES FOR SCREW MOUNTING. MARK THESE SPOTS ON THE CEILING WITH A PENCIL TO DRILL HOLES. DRILL 2 HOLES ON THESE SPOTS AND INSERT ANCHORS (C) INTO DRILLED HOLES.
6. SCREW THE ROD (F3) TO LAMP BODY (L) TILL TIGHT, REPEAT THE SAME OPERATION ON THE ROD (F1) AND ROD (F2). WHEN YOU CONNECT THE RODS, LOOSEN THE SMALL HEX SCREWS (M) IN THE SIDE HOLE FIRST THEN TIGHTEN WITH ALLEN WRENCH (U) AFTER ALL RODS ARE CONNECTED. **BE SURE ALL THE HEXANGULAR SCREWS ARE TIGHT ENOUGH.**
7. PUT ROD (F1) THROUGH THE COLLAR LOOP (I) AND CANOPY (B), AND CONNENT THE NIPPLE (D) TO THE ROD (F1) THEN TIGHTEN IT BY TURNING IN A CLOCKWISE DIRECTION. REPEAT THE SAME OPERATIONS (7) ON ANOTHER SIDE.
8. CONNECT NIPPLE (D) TO THE MOUNTING PLATE (A) WITH 2PCS OF SCREW NUTS (O) AND TIGHTEN SCREW NUTS (O) WITH A WRENCH. REPEAT THE SAME OPERATIONS (8) ON ANOTHER SIDE.
9. PULL THE ELECTRICAL CORD OF "J BOX" THROUGH THE EXIT HOLE OF THE MOUNTING PLATE.
10. CAREFULLY INSPECT THE FIXTURE WIRES. THE NEUTRAL FIXTURE WIRE HAS VERY FINE RIDEGS MOLDED INTO ITS PLASTIC COVERING. THE HOT FIXTURE WIRE HAS A SMOOTH COVERING. THE BARE WIRE IS THE GROUNDED WIRE.
11. ATTACH THE GROUND WIRE FROM THE FIXTURE TO THE GROUND JUNCTION BOX WIRE FROM THE OUTLET (USUALLY GREEN OR BARE WIRE). FASTEN EACH TOGETHER WITH A PLASTIC WIRE CONNECTOR (K) AND WRAP THE CONNECTION WITH ELECTRICAL TAPE. IF YOUR OUTLET BOX DOES NOT HAVE A GROUND WIRE, INSERT THE GREEN GROUND SCREW INTO THE MOUNTING PLATE (A) FACING DOWN, AND WRAP THE FIXTURE'S BARE GROUND WIRE AROUND THE GROUND SCREW. **IT IS IMPERATIVE THAT THE OUTLET BOX IN YOUR HOME BE PROPERLY GROUNDED.**
12. CONNECT THE NEUTRAL FIXTURE WIRE TO THE NEUTRAL JUNCTION BOX WIRE (USUALLY WHITE). FASTEN EACH TOGETHER WITH A WIRE CONNECTOR (K) AND WRAP THE CONNECTION WITH ELECTRICAL TAPE. BE SURE NO STRANDS ARE EXPOSED.
13. CONNECT THE HOT FIXTURE WIRE TO THE HOT JUNCTION BOX WIRE (USUALLY BLACK). FASTEN EACH TOGETHER WITH A PLASTIC WIRE CONNECTOR (K) AND WRAP THE CONNECTION WITH ELECTRICAL TAPE. BE SURE NO WIRE STRANDS ARE EXPOSED. **DO NOT REVERSE THE HOT AND NEUTRAL CONNECTIONS OR SAFETY WILL BE COMPROMISED.**
14. GENTLY TUCK THE WIRE CONNECTIONS (K) NEATLY INTO THE CEILING JUNCTION BOX.
15. ATTACH THE MOUNTING PLATE (A) TO THE CEILING OUTLET BOX USING THE ENCLOSED MOUNTING SCREWS (J) AND TIGHTEN SCREWS (J) WITH A SCREWDRIVER. THEN SECURE MOUNTING PLATE (A) ON THE CEILING BY INSERTING 2PCS STRENGTHENED SCREWS (E) INTO THE ANCHOR (C) AND THEN TIGHTEN STRENGTHENED SCREWS (E) WITH A SCREWDRIVER.
16. PUSH CANOPY (B) AND COLLAR LOOP (I) UP TO THE CEILING AND THREAD THE COLLAR LOOP (I) ONTO THE NIPPLE (D) IN MOUNTING PLATE (A) TO SECURE CANOPY (B) BY TURNING IN A CLOCKWISE DIRECTION.
17. ATTACH THE SMALL GLASS (G1), THE GLASS (G2) AND THE BIG GLASS (G3) ON THE LAMP BODY (L) IN TURN AND REPEAT THE SAME OPERATIONS ON THE OTHER GLASS.
18. INSERT 7 TYPE T 60W BULBS (OR /CFL 12W OR /LED 10W, NOT INCLUDED) INTO THE SOCKETS (H). **DO NOT EXCEED THE SPECIFIED WATTAGE.**
19. RESTORE POWER TO THE JUNCTION BOX AND TEST FIXTURE.

CARE & MAINTENANCE

DUST WITH A DRY CLOTH.

DISCLAIMERS

FOR CUSTOMER SERVICE QUESTIONS CALL 1.888.488.8866

WE RECOMMEND THE INSTALLATION OF THIS ELECTRICAL LIGHT FIXTURE TO BE DONE BY A LICENSED ELECTRICIAN.

ARTERIOS HOME: 972.488.9800

ARTERIOS CONTRACT: 972.488.9800 EXT. 321

ARTERIOS