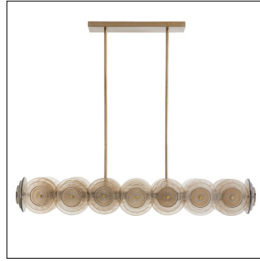
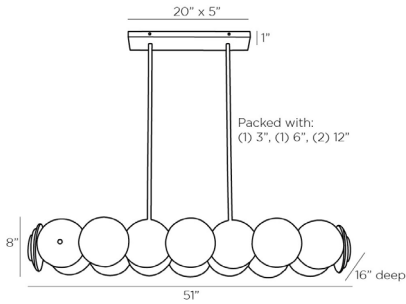


# ARTERIOS

## KINLEE CHANDELIER



82012  
 H: 9.5 IN, W: 51 IN, D: 16 IN  
 Antique Brass  
 Contract Suitable As Is

A modern take on Art Deco, the Kinlee is composed of a series of hand-crafted glass discs on a linear frame with 12 lights sparkling through the glass. A collage of clear glass, smoke glass, and smoke luster glass discs parallel an antique brass iron frame. The clear glass and smoke glass feature a hammered detail, while the smoke luster glass features an etched texture. Its unique layered construction allows the light to bounce between the glass and creates extra illumination for the space it occupies. Finish will vary. Additional pipe available (PIPE-479). Damp-rated, although limited covered outdoor areas may affect finish.

### APPEARANCE

	Antique Brass
Material	Glass, Iron
Material Type	Etched, Hammered
Finish	Antique Brass, Clear, Smoke, Smoke Luster
Finish Will Vary	true
Top Coat/Sealant	true

### DIMENSIONS

Chandelier	H: 8 IN, W: 51 IN, D: 16 IN
Minimum Hanging Height	9.5 IN
Maximum Hanging Height	39.5 IN
Canopy	H: 1 IN, W: 20 IN, D: 5 IN

### WIRING

	UL,EU,SA
Rating	Damp
Cord	10 FT, Clear/Silver, SVT
Socket	12, Type B - E12
Maximum Watt	25
Voltage	110-120 V

### CERTIFICATIONS

	Mexico
Certifications	Australia, United States, Canada

### COMPLIANCY

UL/ETL	Yes
RoHS	false

### SHIPPING

Shipping Requirements	Prop65,TruckShip
Product Weight	51.5 LBS
Gross Weight 1	70.5 LBS
Shipping Box 1	H: 51.18 IN, L: 15.75 IN, W: 11.42 IN

### ADDITIONAL INFO

Features	Assembly Required
----------	-------------------

### REPLACEMENT PARTS

Replacement Part 1	PIPE-479
Replacement Part 1 Dim	(2) 3", (2) 6", (2) 12"
Replacement Part 2	CANOPY-539
Replacement Part 2 Dim	1" x 20" x 5"

### CONTRACT

Contract Suitable	true
-------------------	------