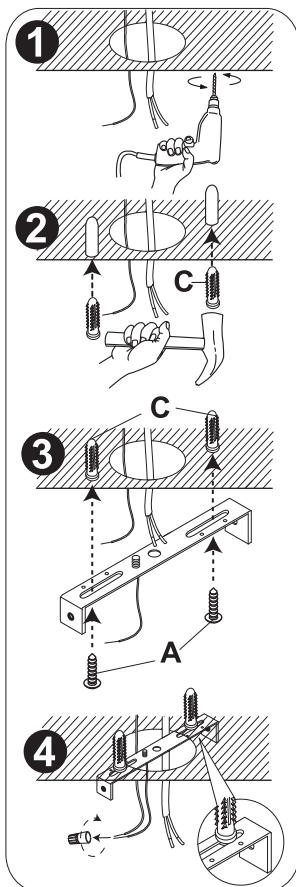





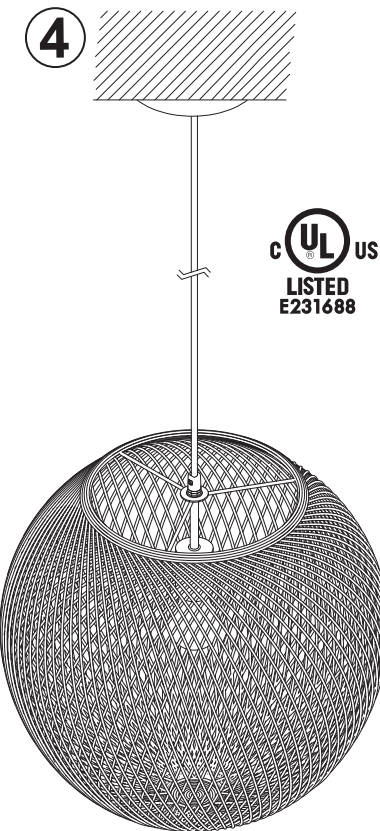
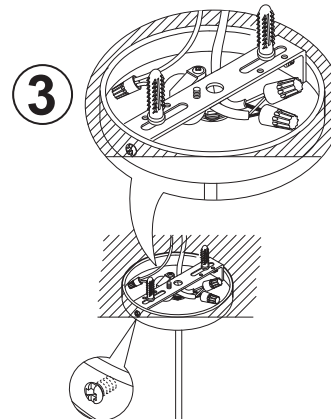
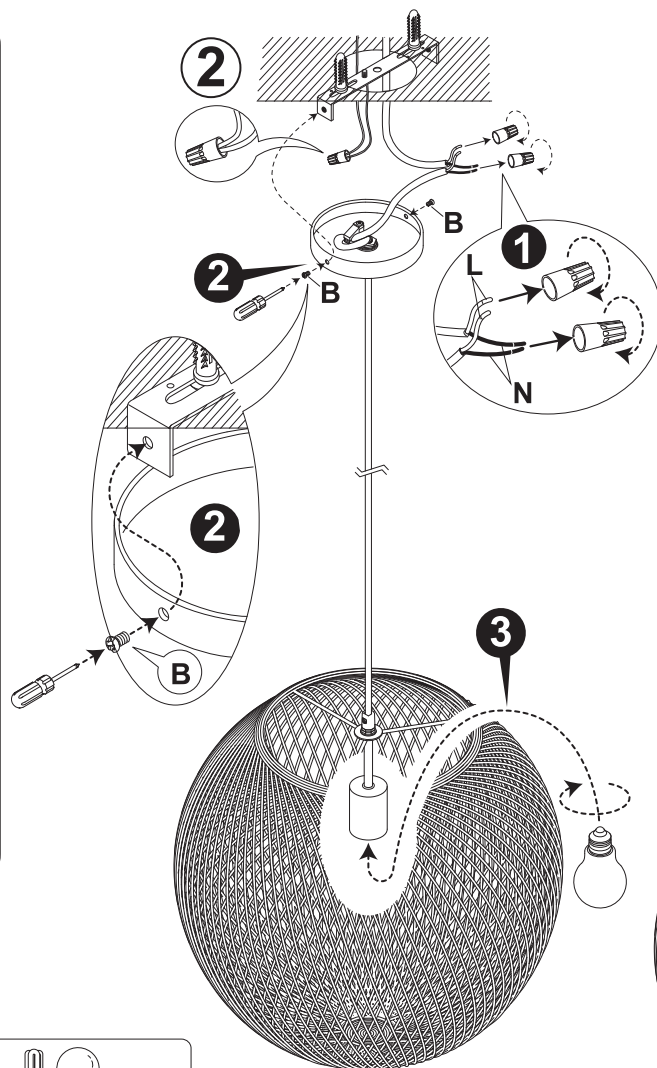
ASSEMBLY INSTRUCTION

1 # 45629: WOVEN ROUND CAGED PENDANT


ARTERIORS



 **A**
 **B**
 **C**
 X2 X2 X2
 SCREWS / PLASTIC CORK



 **UL** US
 LISTED
 E231688

SIZE: 18"Ø X 53" H.
 MAX 60W,  E26
 MAX 13W,  E26

PS-RRAK-UL