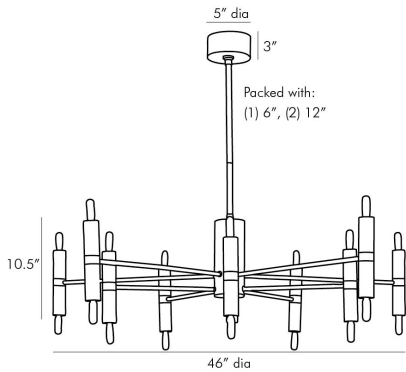


# ARTERIOS

## BOZEMAN CHANDELIER



89633  
 H: 19.5 IN, Dia: 46.00 IN  
 Antique Brass  
 Contract Suitable As Is

This steel chandelier showcases a streamlined silhouette that is modern and minimalistic. Ten double-socket cylindrical candle sleeves stand at attention of the piped arms that extend from its columnar center at varying heights. With 20 brilliant lights and a sleek sheen that work together to illuminate the Bozeman is foundational piece for contemporary settings. Damp-rated, although limited covered outdoor conditions may affect finish.

### APPEARANCE

Material Steel  
 Finish Antique Brass  
 Top Coat/Sealant true  
 Link Welded

### DIMENSIONS

Chandelier H: 10.5 IN, Dia: 46.00 IN  
 Minimum Hanging Height 19.5 IN  
 Maximum Hanging Height 43.5 IN  
 Canopy H: 3 IN, Dia: 5.00 IN

### WIRING

Rating UL,EU,SA  
 Damp  
 Cord 10 FT, Black/White, SVT  
 Socket 20, Type B--E12 Other  
 Photographed Bulb Small Clear Tubular Bulb  
 Maximum Watt 25  
 Voltage 110-120 V

### CERTIFICATIONS

Certifications Mexico  
 European Union, United Arab Emirates, United States, Canada

### COMPLIANCY

UL/ETL Yes  
 CB Yes  
 RoHS true

### SHIPPING

Shipping Requirements TruckShip  
 Product Weight 21 LBS  
 Gross Weight 1 43 LBS  
 Shipping Box 1 H: 18 IN, L: 47 IN, W: 46 IN

### REPLACEMENT PARTS

Replacement Part 1 PIPE-101  
 Replacement Part 1 Dim (1) 6", (1) 12"  
 Replacement Part 2 CANOPY-423  
 Replacement Part 2 Dim 2.5" x 6"

### CONTRACT

Contract Suitable true