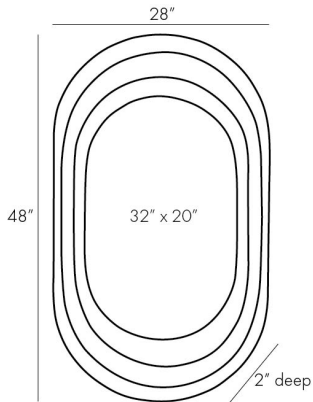


# ARTERIOS

## GEORGINA MIRROR



4917  
H: 48 IN, W: 28 IN, D: 2 IN  
Dark Antique Brass  
Contract Suitable As Is

Expanding on an Arteriors design classic, antique brass and plain glass artistically pair to create this visually commanding mirror. Concentric pillowed ribbing creates a visual effect that the frame is growing outward from the center, making this an exceptional piece to add depth to a space. The brass clad foundation is finished in a moody dark antique look we adore. Security cleat hanging hardware allows for vertical or horizontal display. Finish will vary.

### APPEARANCE

Material	Brass, Mirror
Material Type	Clad
Finish	Dark Antique, Plain
Finish Will Vary	true
Top Coat/Sealant	true

### DIMENSIONS

Mirror Size	H: 32, W: 20
-------------	--------------

### SHIPPING

Product Weight	46.3 LBS
Gross Weight 1	53 LBS
Shipping Box 1	H: 51 IN, L: 30 IN, W: 5 IN

### ADDITIONAL INFO

Hanger Position	Vertical & Horizontal
Hanger Type	Security Cleat
Hanger Size	15", 24"

### CONTRACT

Contract Suitable	true
-------------------	------