

Instruction Manual

ITEM: DA49007

MOUNTING THE FIXTURE, HARDWIRE (Fig. 1)

1. Carefully unpack the fixture and lay out all the parts on a clear area. Take care not to lose any parts necessary for installation.
2. Shut off the power at the circuit breaker and remove the old fixture, including the mounting hardware
3. Position the mounting plate on the wall, and mark location of the mounting holes, drill the holes on the wall, and then inserting the plastic anchors.
4. Attach 4pcs mounting plate (C) to the wall junction box using the enclosed self-tapping screw (D) and tighten screws with screwdriver.

CONNECTING THE WIRES (Fig. 2)

5. At this point, connect the electrical wires as shown in **FIG. 2**, make sure that all wire connectors are secured. If your outlet has a ground wire (green or bare copper), connect the fixture's ground wire to it. Otherwise, connect the fixture's ground wire directly to the circular strap using the green screw provided. Tuck the wire connections neatly into the outlet box.

COMPLETING THE INSTALLATION (Fig. 1)

6. Fix the fixture (E) to the wall by using the enclosed 4 screws (G).
7. Attach the metal plate (H) to the mounting plate (C) by using the screw (I) and tighten screws with spanner (I).
8. Install G9 25W bulb (or LED 5W, Bulbs not included) into each socket. **(DO NOT EXCEED THE MAXIMUM WATTAGE RATING!)**
9. Screw ceramic shades (L) to the socket accent one by one.

FIG.1

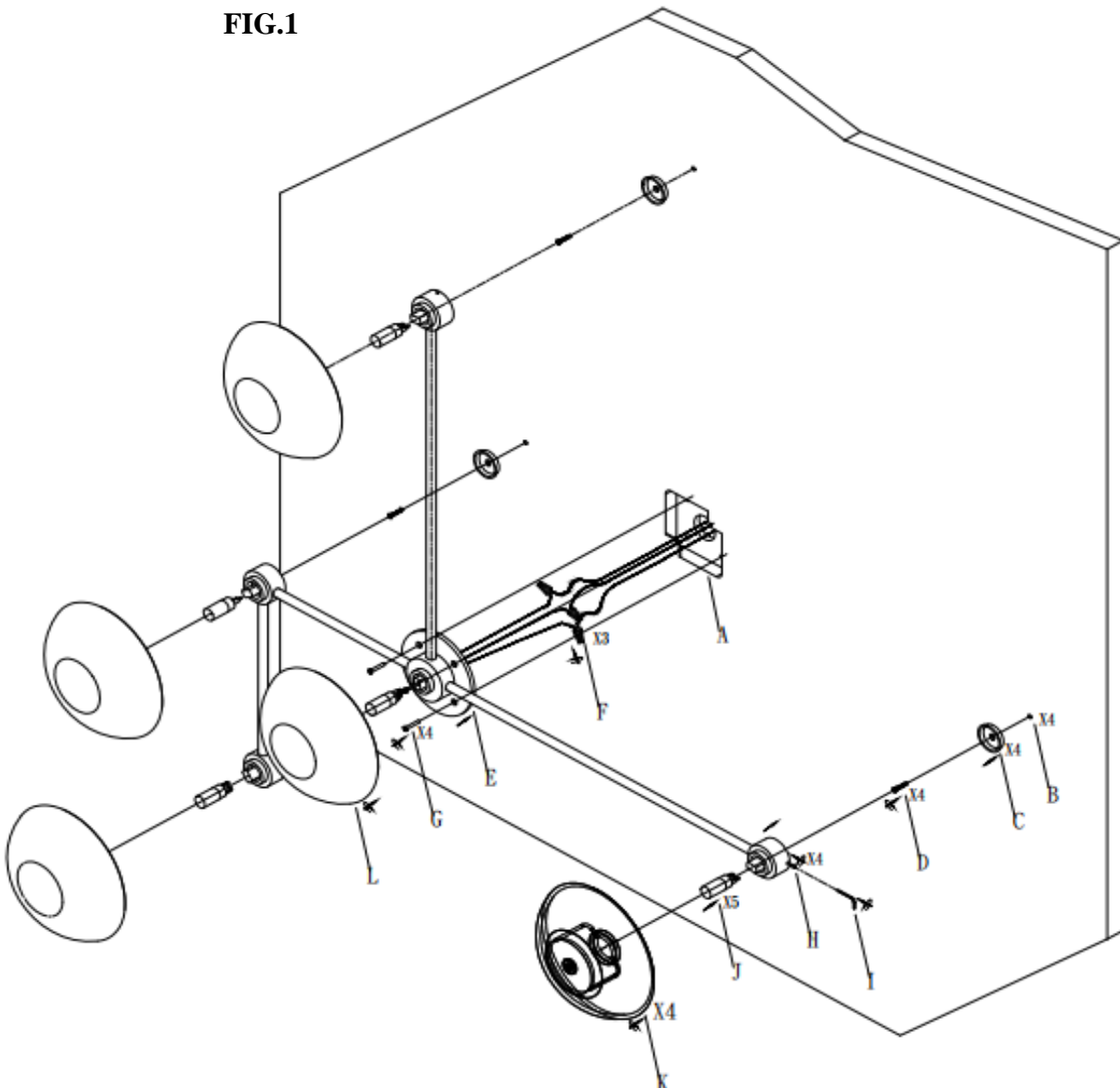
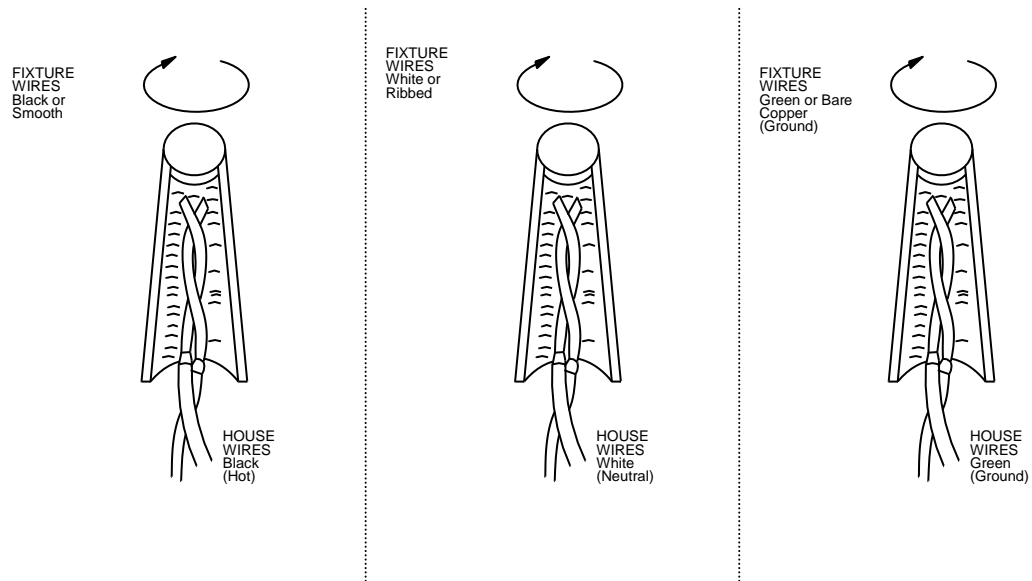


FIG.2



Your installation is now completed, return power to the outlet box and test the fixture.

NOTE: FIXTURE SHOULD BE INSTALLED BY A QUALIFIED ELECTRICIAN TO ENSURE PROPER WIRING AND INSTALLATION.

To clean, use soft cloth only. Do not use any chemical or abrasive cleaners as that may damage the finish and void the product warranty.