

USER'S MANUAL

Tulane Chandelier

89335

CAUTION: SHUT OFF THE POWER AT THE MAIN UTILITY BOX BEFORE DOING ANY ELECTRICAL CONNECTIONS TO AVOID ANY RISK OF ELECTRICAL HAZARD. ENSURE THE CEILING CAN SUPPORT THE WEIGHT OF THE PRODUCT.

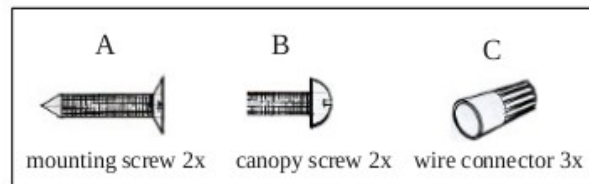
Important Safety Instructions:

- These instructions are provided for your safety. It is important that they are read carefully before use to ensure safe operation of the product.
- Professional installation is recommended.
- Ask assistance for ceiling mounting.
- This fixture has been rated for up to (8) **40-watt maximum TYPE B** standard incandescent light bulbs (not included). Do not exceed the recommended wattage.

Warning:

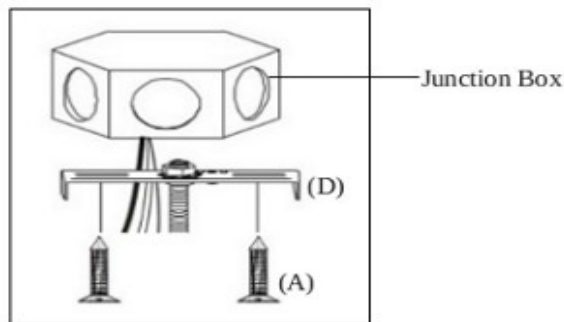
- *THIS PRODUCT MUST BE INSTALLED IN ACCORDANCE WITH THE APPLICABLE INSTALLATION CODES BY A PERSON FAMILIAR WITH THE CONSTRUCTION AND OPERATION OF THE PRODUCT AND THE HAZARDS INVOLVED.*
- *CONSULT A QUALIFIED ELECTRICIAN TO ENSURE CORRECT BRANCH CIRCUIT CONDUCTOR.*
- To reduce the risk of fire, electrical shock or personal injury, always turn off light fixture and allow it to cool prior to replacing light bulb.
- Do not touch bulb when fixture is turned on. Do not look directly at lit bulb.
- Keep flammable materials away from lit bulb.
- Check the cable properly for any loose or damage connections.
- When the unit is no longer functioning, do not attempt to fix it by yourself. Only qualified technician is allowed to disassemble and repair.
- If the external flexible cable cord of this luminaire is damaged it shall be exclusively replaced by a qualified electrician in order to avoid hazard.
- For indoor use only.

Hardware included inside the package:



Installation Instructions:

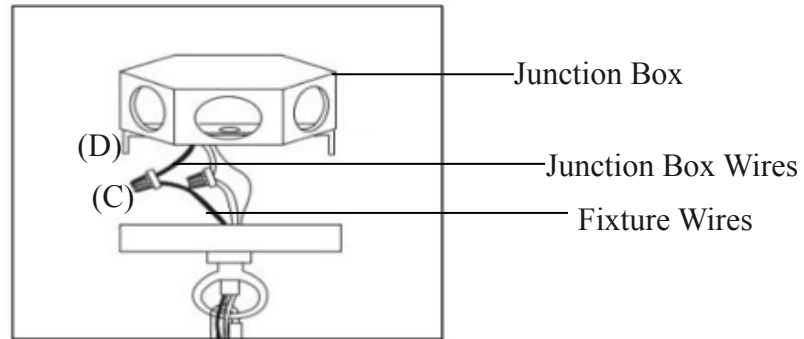
1. **SHUT OFF THE MAIN ELECTRICAL SUPPLY FROM THE MAIN FUSE BOX/CIRCUIT BREAKER.**
2. Please check you have all parts before beginning assembly.
3. Secure the cross-bar (D) to the Junction Box with the Mounting Screws (A). Tighten until snug.



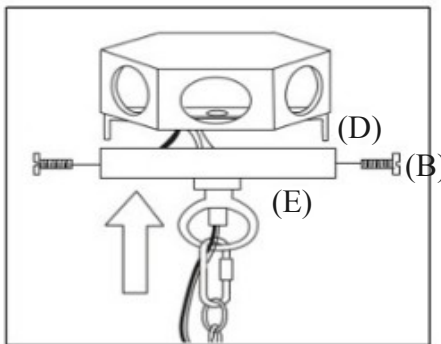
4. Establish electrical connections:

- a) Connect the NEUTRAL FIXTURE WIRE (has ridges molded on the outside insulation) to the NEUTRAL JUNCTION BOX WIRE (usually white insulation). Fasten each together with a wire connector (C) and wrap the connection with electrical tape. Be sure that no wire strands are exposed.
- b) Connect the HOT FIXTURE WIRE (has insulation that is smooth) to the HOT JUNCTION BOX WIRE (usually black insulation). Fasten each together with a wire connector (C) and wrap the connection with electrical tape. Be sure that no wire strands are exposed. **DO NOT REVERSE THE HOT AND NEUTRAL CONNECTIONS OR SAFETY WILL BE COMPROMISED.**

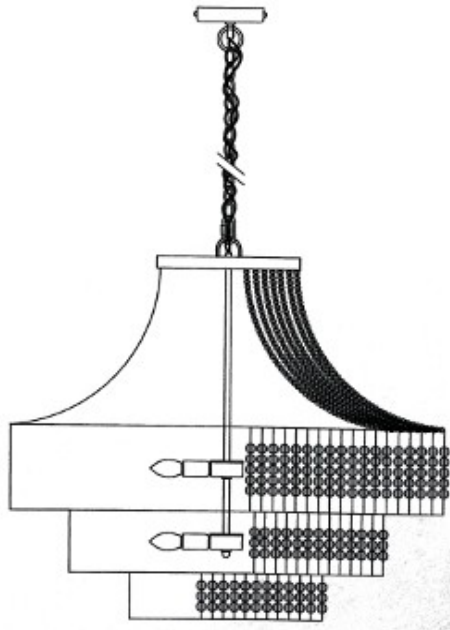
- c) If the J-Box includes a ground wire, attach the GROUND WIRE of the fixture to the GROUND J-BOX WIRE. Fasten the wires together with a plastic wire connector (C) and wrap the connection with electrical tape. Be sure that no wire strands are exposed. If there is no ground wire in the J-Box, use a screwdriver to secure the end of the chandelier ground wire to the GREEN screw located on the cross-bar (D). Wrap the wire around the screw once clockwise and then tighten the screw. Make sure that the wire is held firmly by the screw and did not slip out during tightening.



5. After all connections are made attached the canopy (E) to the crossbar (D). Align the holes of the side portions of the crossbar with the holes located in the side of the canopy. Using a screwdriver Insert the canopy screws (B) through each hole of the canopy and into threaded engagement with the cross bar. Do not over-tighten the screws.



6. Insert (8) **40-watt maximum TYPE B** standard incandescent light bulbs (not included) into the sockets. **DO NOT EXCEED THE RECOMMENDED WATTAGE.**
7. Restore power to ceiling outlet junction box and test fixture.



8. Installation is complete.

Care Instructions: Do not use abrasive cleaning solution. Clean it using soft dry cloth or static duster.

Keep these instructions for future reference.

