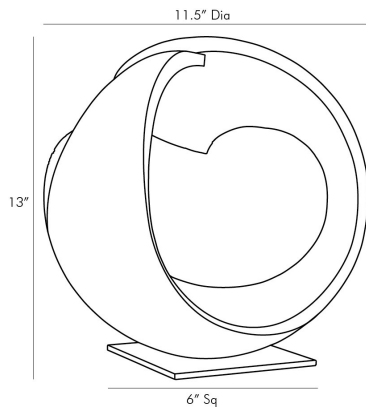


ARTERIOS

DAWSON SCULPTURE



9237

H: 13 IN, Dia: 11.50 IN

Charcoal

Contract Suitable As Is

Sweeping curves reflect the volatile and peaceful movements of oceanic currents in this orb-like structure. Its abstract open-form profile is constructed of ricestone in a charcoal finish that is reminiscent of lava stone. A thin antique brass embellishments that trace part of its silhouette. Showcase on a console or étagère and let this sculpture be a representation of what's to come.

APPEARANCE

| | |
|------------------|------------------|
| Material | Ricestone, Steel |
| Material Type | Composite |
| Finish | Antique Brass |
| Finish Will Vary | true |
| Top Coat/Sealant | false |

DIMENSIONS

| | |
|------------|------------------|
| Foot Print | W: 6 IN, D: 6 IN |
|------------|------------------|

SHIPPING

| | |
|----------------|----------------------------------|
| Product Weight | 14.5 LBS |
| Gross Weight 1 | 18.2 LBS |
| Shipping Box 1 | H: 14 IN, L: 16.9 IN, W: 16.9 IN |

CONTRACT

| | |
|-------------------|------|
| Contract Suitable | true |
|-------------------|------|