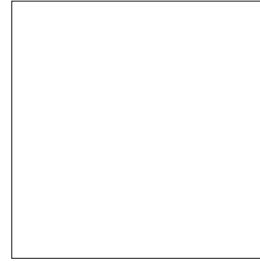
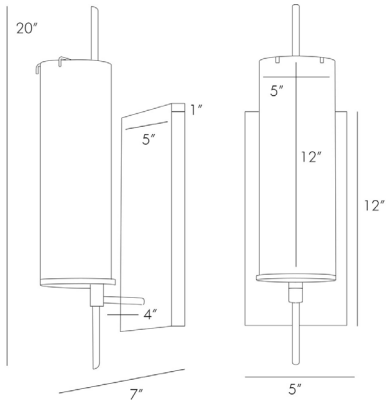


# ARTERIOS

## STEFAN SCONCE



49006

H: 20 IN, W: 5 IN, D: 7 IN

Vintage Silver, Frosted Glass

Contract Suitable As Is

Derived from the popular Stefan Floor Lamp (79661), this one-light wall sconce combines vintage silver with frosted glass and bronze to create a sophisticated and modern look. Consider pairs flanking a mirror in the hallway. Damp-rated, although limited covered outdoor conditions may affect finish.

### APPEARANCE

|                  |                        |
|------------------|------------------------|
| Material         | Glass, Steel           |
| Material Type    | Plated                 |
| Finish           | Bronze, Vintage Silver |
| Top Coat/Sealant | true                   |
| Link             | Welded                 |

### DIMENSIONS

|                          |   |
|--------------------------|---|
| Center Of Mount From Btm | 8 IN                                    |
| Shade                    | Top: 4.00 IN, Dia: 4.00 IN, Side: 12 IN |
| Arm                      | D: 4 IN                                 |
| Backplate                | H: 12 IN, W: 5 IN, D: 1 IN              |
| Mount                    | H: 9.5 IN, W: 3.5 IN                    |

### WIRING

|              |                      |
|--------------|----------------------|
|              | UL,EU,SA             |
| Rating       | Damp                 |
| Cord         | 10 FT, Black, SVT    |
| Socket       | 1, Type A- E26 Other |
| Maximum Watt | 60                   |
| Voltage      | 110-120 V            |

### CERTIFICATIONS

|                |   |
|----------------|---|
|                | Mexico  |
| Certifications | European Union, United Arab Emirates, United States, Canada |

### COMPLIANCY

|        |      |
|--------|------|
| UL/ETL | Yes  |
| CB     | Yes  |
| RoHS   | true |

### SHIPPING

|                |                            |
|----------------|----------------------------|
| Product Weight | 3 LBS                      |
| Gross Weight 1 | 4.45 LBS                   |
| Shipping Box 1 | H: 9 IN, L: 22 IN, W: 9 IN |

### ADDITIONAL INFO

|                     |                   |
|---------------------|-------------------|
| Features            | Assembly Required |
| Hanging Orientation | Vertical Only     |

### REPLACEMENT PARTS

|                    |          |
|--------------------|----------|
| Replacement Part 1 | 79661GLS |
|--------------------|----------|

### CONTRACT

|                   |      |
|-------------------|------|
| Contract Suitable | true |
|-------------------|------|