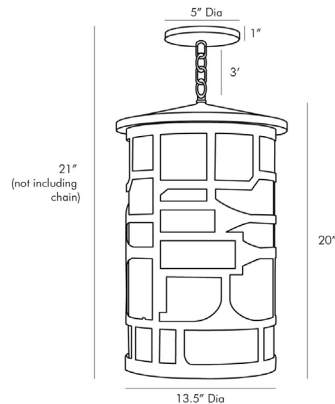


ARTERIOS

SHANI OUTDOOR PENDANT



49222
H: 21 IN, Dia: 13.50 IN
Aged Iron
Contract Suitable As Is

The mid-century craftsman style of this pendant light makes it intriguing and modern, while its grand scale gives it presence. The steel frame is almost sculptural, featuring a linear pattern that is hammered and finished in aged iron, adding to the mid-century modern feel. It conceals a sleeve of opal glass that filters the light from three bulbs, so the light it emits spreads warmly outward and openly downward. Additional chain (CHN-193) available. Approved for outdoor use.

APPEARANCE

Material	Glass, Steel
Finish	Aged Iron, Opal
Top Coat/Sealant	true
Link	Welded

DIMENSIONS

Pendant	H: 20 IN, Dia: 13.50 IN
Minimum Hanging Height	21 IN
Canopy	H: 1 IN, Dia: 5.00 IN

WIRING

	UL,EU,SA
Rating	Outdoor
Cord	10 FT, Black, SVT
Socket	3, Type B--E12 Other
Maximum Watt	60
Voltage	110-120 V

CERTIFICATIONS

	Mexico
Certifications	European Union, United Arab Emirates, United States, Canada

COMPLIANCY

UL/ETL	Yes
CB	Yes
RoHS	true

SHIPPING

Product Weight	15.5 LBS
Gross Weight 1	21 LBS
Shipping Box 1	H: 19 IN, L: 29 IN, W: 19 IN

REPLACEMENT PARTS

Replacement Part 1	CHN-193
Replacement Part 1 Dim	3'
Replacement Part 2	CANOPY-278
Replacement Part 2 Dim	1" x 5" Dia

CONTRACT

Contract Suitable	true
-------------------	------