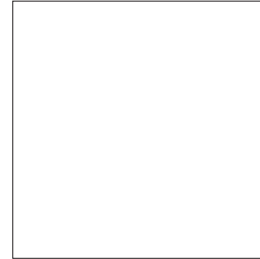
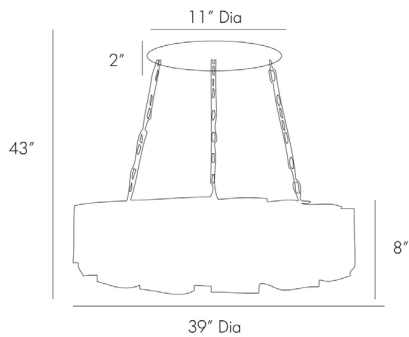


# ARTERIOS

## VAUGHN FIXED CHANDELIER



89995  
 H: 43 IN, Dia: 39.00 IN  
 Bronze, Gold Leaf  
 Contract Suitable As Is

Ring shaped 14-light iron pendant light creates a glowing luminaire effect with each light in open bronze finished box. Damp-rated, although limited covered outdoor conditions may affect finish.

### APPEARANCE

Material Steel  
 Finish Bronze, Gold Leaf  
 Top Coat/Sealant true  
 Link Welded

### DIMENSIONS

Chandelier H: 8 IN, Dia: 39.00 IN  
 Minimum Hanging Height 43 IN  
 Maximum Hanging Height 43 IN  
 Canopy H: 2 IN, Dia: 11.00 IN

### WIRING

Rating UL,EU,SA  
 Cord Damp  
 Cord 10 FT, Clear/Silver, SVT  
 Socket 14, Type B=-E12 Other  
 Maximum Watt 40  
 Voltage 110-120 V

### CERTIFICATIONS

Certifications Mexico  
 United States, Canada

### COMPLIANCY

UL/ETL Yes  
 RoHS true

### SHIPPING

Shipping Requirements TruckShip  
 Product Weight 40 LBS  
 Gross Weight 1 53.35 LBS  
 Shipping Box 1 H: 13 IN, L: 45 IN, W: 45 IN

### CONTRACT

Contract Suitable true