

ARTERIOURS

ASSEMBLY INSTRUCTIONS

ITEM NO: 6561

Description: Prescott Large Oval Mirror



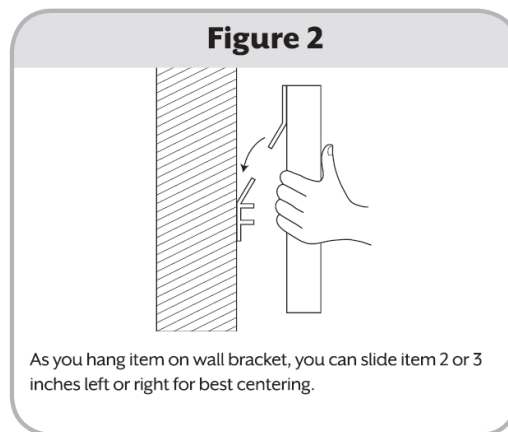
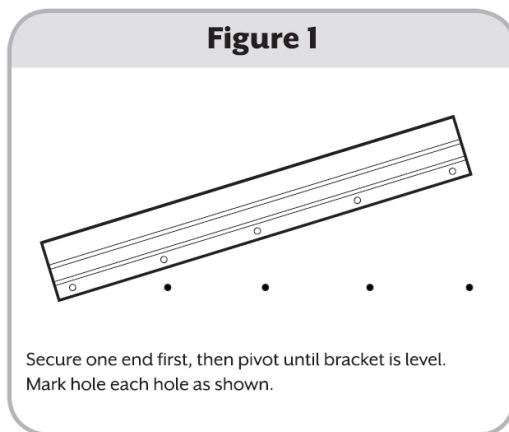
Parts Included:

- (1) Mirror
- (1) Metal Cleat
- (4) Dry Wall Anchors
- (4) Screws

- Do not throw away packaging materials until assembly is complete
- Stud mounting is recommended. Use proper hardware for your wall type, these instructions are for drywall. When in doubt, consult your local hardware store. For your safety, installation by two people is recommended.

Assembly:

1. Position mirror in desired location on wall.
2. Position metal cleat in desired location and mark location of each dry wall anchor installation, as shown in Figure 1.
3. Remove metal cleat from the wall.
4. Drill 5/16" pilot holes in wall. Position dry wall anchor over hole and gently tap anchor into wall until cap prongs are embedded in wall and cap is snug against surface. Turn screw clockwise pressing firmly to prevent anchor from rotating. Tighten screw until resistance is felt, this will fully expand the anchor. Turn screw counter clockwise to remove screw. Anchor will remain embedded in wall.
5. Place metal cleat over anchors and insert; then tighten all screws.
6. Hang mirror on wall bracket, as shown in Figure 2.



CARE INSTRUCTIONS

Wipe with a soft, dry cloth. To protect finish, avoid the use of chemicals and household cleaners.