

ASSEMBLY INSTRUCTIONS

ITEM DESCRIPTION

MATERIAL TYPE: BRASS FINISH : **NATURAL** BRASS TOP COAT/SEAL
SOCKET TYPE: E26 SOCKET QTY:1
BULB TYPE: TYPE A BULB WATTAGE: 60W VOLTAGE:110V-120V
ITEM NET WEIGHT:
UL COMPLIANT
INSTALLATION ENVIRONMENT:SUITABLE FOR DRY LOCATIONS


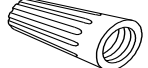
NOTE:

*YOUR PRODUCT(S) MAY BE PACKED IN MORE THAN ONE CARTON
*THIS ITEM MAY REQUIRE PERIODIC TIGHTENING

PARTS

A	MOUNTING PLATE	1 PC
B	CANOPY SCREWS	2 PC
C	LAMP BODY	1 PC
D	SOCKET	1 PC
E	SHDAE	1 PC
F	SOCKET RING	1 PC
G	BULB	1 PC

INCLUDED ASSEMBLY HARDWARE

J mounting screws 	K Plastic wire connectors 
---	---

ASSEMBLY INSTRUCTIONS

- 1.REMOVE ALL PACKING CONTENTS AND PARTS FROM THE CARTON(S)CAREFULLY.
- 2.PLEASE BE SURE YOU HAVE ALL PARTS INDICATED BEFORE YOU BEING ASSEMBLY.
- 3.SHUT OFF THE MAIN ELECTRICAL SUPPLY FROM THE MAIN FUSE BOX/CIRCUIT BREAKER
- 4.Separate the Mounting Plate (A) from the Canopy by removing the 2 Canopy Screws (B)
- 5.Insert the J-box wires through the center opening of Mounting Plate
- 6.Attach the Mounting Plate onto the wall J-box
- 7.Secure the Mounting Plate by turning the 2 Mounting Screws (J)
8. Connect the GROUND FIXTURE WIRE to the GROUND J-BOX WIRE using the Plastic Wire Nut (K) and wrap the connection with electrical tape. Be sure that no wire strands are exposed.
9. If the junction box DOES NOT has a GROUND WIRE, wrap the fixture's bare ground wire around the mounting plate and insert the screw into the Mounting Plate (A), marked as "GND", and tighten screw to secure the wire.
- 10.Connect the NEUTRAL FIXTURE WIRE to the NEUTRAL J-BOX WIRE first and then connect the HOT FIXTURE WIRE to the HOT J-BOX WIRE using the Plastic Wire Nut Connectors (K). Wrap the connection with electrical tape. Be sure that no wire strands are exposed.
- 11.Check the wiring connections and if all looks good, gently tuck the wire connections neatly into the mounting plate.
- 12.Position the Canopy over the Mounting Plate (A) ,Secure the Canopy by tightening 2 Canopy Screws (B)
- 13.Attach the Shade (E) onto the Socket (D) and then twist socket ring(F) tightly ,Insert the specified bulb (G)

CARE & MAINTENANCE

DUST WITH A DRY CLOTH.

FOR CUSTOMER SERVICE QUESTIONS CALL 1.800.338.2150

ARTERIOS HOME:972.488.9800

ARTERIOS CONTRACT:972.488.9800 EXT.321

DISCLAIMER

WE RECOMMEND

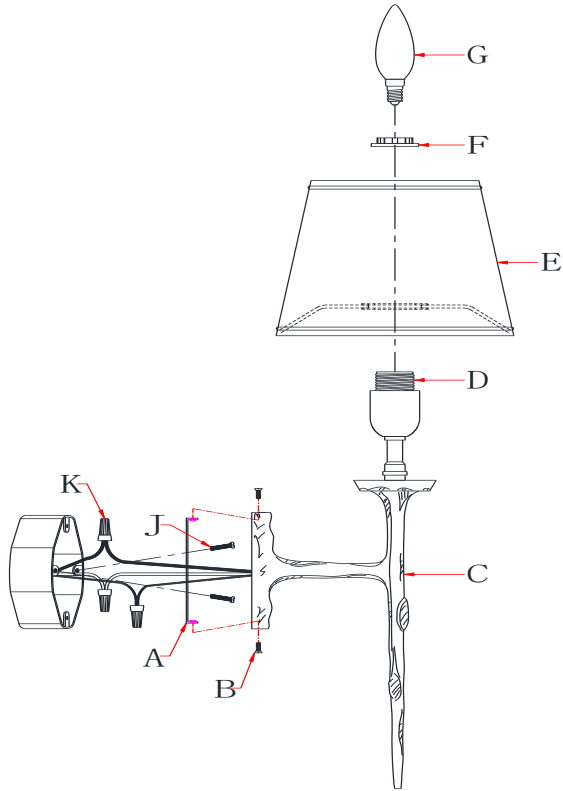
ARTER

ITEM #49701 | SCONCE-CAST BRASS

..ANT:



PRODUCT ASSEMBLY



Connector (K)



se connections

ceiling junction box.

ws (B)

ght bulbs into the Socket (D).

WARRANTY

THE INSTALLATION OF THIS ELECTRICAL LIGHT FIXTURE TO BE DONE BY A LICENSED ELECTRICIAN.

WARRANTY