

ASSEMBLY INSTRUCTIONS

ITEM #49020 |WASTON SCONCE

ITEM DESCRIPTION

MATERIAL TYPE: STEEL FINISH :OIL RUBBER BRONZE.ANTIQUE BRASS TOP COAT/SEALANT:
 SOCKET TYPE: E27 CERAMIC SOCKET QTY:1
 BULB TYPE: TYPE A BULB WATTAGE: 60W VOLTAGE:110V-120V
 ITEM NET WEIGHT:

UL COMPLIANT
 INSTALLATION ENVIRONMENT:SUITABLE FOR DAMP LOCATIONS

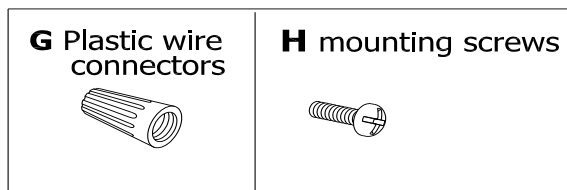


NOTE:
 *YOUR PRODUCT(S) MAY BE PACKED IN MORE THAN ONE CARTON
 *THIS ITEM MAY REQUIRE PERIODIC TIGHTENING

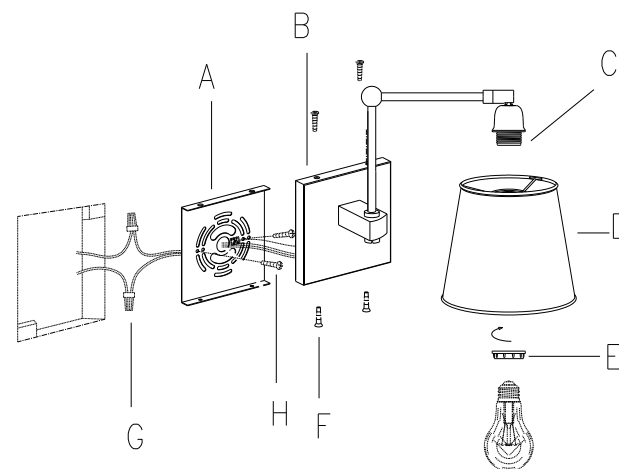
PARTS

A	MOUNTING PLATE	1 PC
B	BACKPLATE	1 PC
C	SOCKET ASSEMBLY	1 PC
D	SHADE	1 PC
E	SOCKET RING	1 PC
F	CANOPY SCREW	4 PCS

INCLUDED ASSEMBLY HARDWARE



PRODUCT ASSEMBLY



ASSEMBLY INSTRUCTIONS

- 1.REMOVE ALL PACKING CONTENTS AND PARTS FROM THE CARTON(S)CAREFULLY
- 2.PLEASE BE SURE YOU HAVE ALL PARTS INDICATED BEFORE YOU BEGIN ASSEMBLY
- 3.SHUT OFF THE MAIN ELECTRICAL SUPPLY FROM THE MAIN FUSE BOX/CIRCUIT BREAKER
4. GENTLY PULL WIRING DOWN FROM CEILING JUNCTION BOX AND ALLOW IT TO HANG.
5. REMOVE THE BACK PLATE (A) FROM THE CANOPY (B) BY LOOSE CANOPY SCREWS(F)
- 6.CAREFULLY INSPECT THE FIXTURE WIRES. THE NEUTRAL FIXTURE WIRE HAS VERY FINE RIDEGS MOLDED INTO ITS PLASTIC COVERING. THE HOT FIXTURE WIRE HAS A SMOOTH COVERING.THE BARE SILVER WIRE IS THE GROUNDED WIRE.
7. ATTACH THE GROUND WIRE FROM THE FIXTURE TO THE GROUND JUNCTION BOX WIRE FROM THE OUTLET (USUALLY GREEN OR BARE WIRE). FASTEN EACH TOGETHER WITH A PLASTIC WIRE CONNECTOR (E) AND WRAP THE CONNECTION WITH ELECTRICAL TAPE. IF YOUR OUTLET BOX DOES NOT HAVE A GROUND WIRE, INSERT THE GREEN GROUND SCREW INTO THE MOUNTING PLATE (A) FACING DOWN, AND WRAP THE FIXTURE'S BARE GROUND WIRE AROUND THE GROUND SCREW. **IT IS IMPERATIVE THAT THE OUTLET BOX IN YOUR HOME BE PROPERLY GROUNDED.**
- 8.CONNECT THE NEUTRAL FIXTURE WIRE TO THE NEUTRAL JUNCTION BOX WIRE (USUALLY WHITE). FASTEN EACH TOGETHER WITH A WIRE CONNECTOR (G) AND WRAP THE.CONNECTION WITH ELECTRICAL TAPE. BE SURE NO STRANDS ARE EXPOSED.
- 9.CONNECT THE HOT FIXTURE WIRE TO THE HOT JUNCTION BOX WIRE (USUALLY BLACK). FASTEN EACH TOGETHER WITH A PLASTIC WIRE CONNECTOR (G) AND WRAP THE CONNECTION WITH ELECTRICAL TAPE. BE SURE NO WIRE STRANDS ARE EXPOSED. **DO NOT REVERSE THE HOT AND NEUTRAL CONNECTIONS OR SAFETY WILL BE COMPROMISED.**
- 10.UNSCREW SOCKET RING(E) OFF THE SOCKET, ATTACHED SHADE(D) TO THE SOCKET ASSEMBLY(C) AND SECURE IT WITH SOCKET RING(E) TILL TIGHT.
11. GENTLY TUCK THE WIRE CONNECTIONS NEATLY INTO THE CEILING JUNCTION BOX.
- 12.ATTACH THE BACK PLATE (A) WITH NIPPLE TO THE CEILING OUTLET BOX USING THE ENCLOSED MOUNTING SCREWS (H) AND TIGHTEN SCREWS WITH A SCREWDRIVER.
- 13.PUSH BACK PLATE(B) UP OVER THE MOUNTING PLATE (A) UNTIL IT IS FLUSH WITH THE CEILING AND FIX THE CANOPY BY USING 4PCS CANOPY SCREWS(D)
14. INSERT ONE TYPE A 60W BULB (NOT INCLUDED) INTO THE SOCKETS(D). DO NOT EXCEED SPECIFIED WATTAGE.

CARE & MAINTENANCE

DUST WITH A DRY CLOTH.

FOR CUSTOMER SERVICE QUESTIONS CALL 1.888.488.8866
 ARTERIORS HOME:972.488.9800
 ARTERIORS CONTRACT:972.488.9800 EXT.321

DISCLAIMERS

WE RECOMMEND THE INSTALLATION OF THIS ELECTICAL LIGHT FIXTURE TO BE DONE BY A LICENSED ELECTRICIAN

ARTERIORS