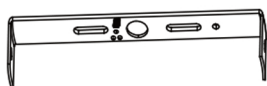


Parts Included:

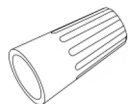
Mounting Bracket



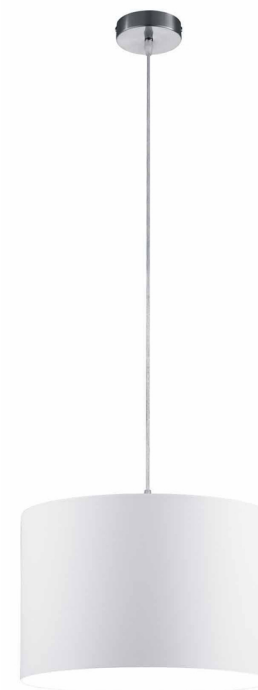
Outlet Box screw



Wire Connector



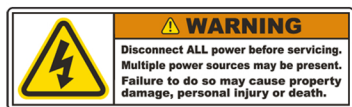
Mounting Screw



CSA / UL Safety Requirements

CSA/UL requires that these IMPORTANT SAFETY INSTRUCTION be listed:

- Before starting installation of this fixture or removal of a previous fixture, disconnect the power by turning off the circuit breaker or by removing the fuse at the fuse box.

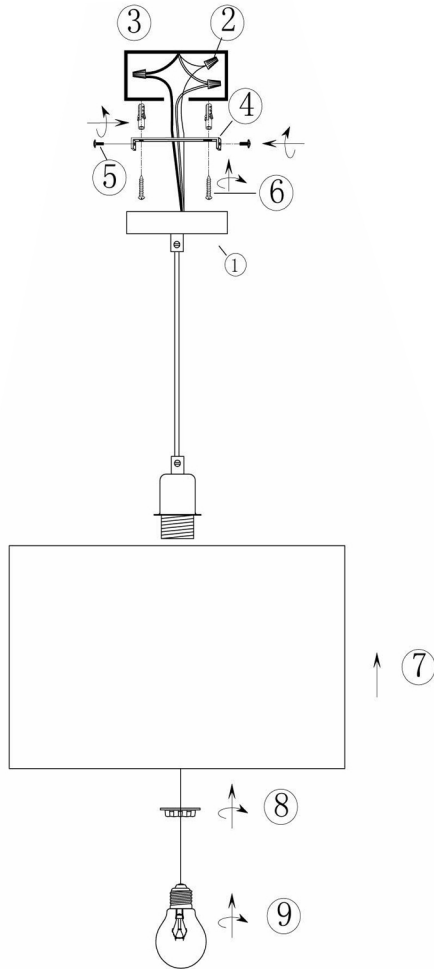


- Consult a qualified electrician if you have any electrical questions or need to replace the driver.

Care Instructions

Arnsberg suggests using only a micro fiber cleaning cloth to clean this fixture. If required, a slightly damp cleaning cloth may be used to spot clean. Do not use common household cleaners on this fixture, as the final finish may be damaged as a result. Enjoy your new Arnsberg fixture.

Mounting Instructions



Assembly Instructions

1. Screw the two Outlet Box Screws (#5) into the Mounting Strap (#4). Mount the mounting bracket (#4) to the Outlet Box (#3)
2. Connect the ground wire from the fixture to the ground wire from the Outlet Box (#3). Connect the white wire from the fixture to the white wire (neutral wire) from the Outlet Box (#3). Connect the black wire from the fixture to the black wire (live wire) from the Outlet Box (#3). Cover the connections using the wire connectors (#2). Wrap the wire connections with electrical tape for a more secure connection. Position the wires back inside the Outlet Box (#3). Note: If you have electrical questions, consult your local licensed electrician.
3. Place the Canopy (#1) over the Outlet Box (#3). Screw the Mounting Screws (#6) to secure the Canopy (#1) to mounting strap (#4).
4. Place the SHADE (#7) over the Socket and tighten the SHADE with the Ring (#8)
5. Screw the BULB (#9, not included) into the bulb socket.
6. Installation is complete. Turn on the power at the circuit breaker or fuses box. Turn the light switch on to activate the fixture.

Supply wire connection guide: Make wire connections, securing with wire connectors (AA), following the reference chart listed below.

| CONNECT HOT, BLACK OR RED OUTLET SUPPLY WIRE TO: | CONNECT NEUTRAL, WHITE OUTLET SUPPLY WIRE TO: |
|--|---|
| Black or Marked "L" | White or Marked "N" |
| * Parallel Cord (round and smooth) | * Parallel Cord (square and ridged) |
| Clear, Brown, Gold or Black without Tracer (colored stripes) | Clear, Brown, Gold or Black with Tracer (colored stripes) |
| Insulated Wire (not green) with Copper Metal Conductor | Insulated Wire (not green) with Silver Metal Conductor |

*NOTE:
When parallel wire (SPT I & SPT II) is used, the neutral wire is square shaped and ridged and the hot wire will be round in shape and smooth.

