

Parts Included:

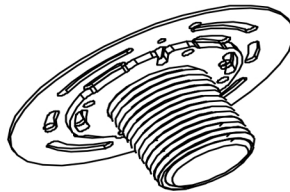
Mounting Screw



Wire Connector



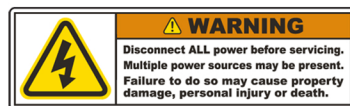
Mounting Bracket



CSA / UL Safety Requirements

CSA/UL requires that these IMPORTANT SAFETY INSTRUCTION be listed:

- Before starting installation of this fixture or removal of a previous fixture, disconnect the power by turning off the circuit breaker or by removing the fuse at the fuse box.

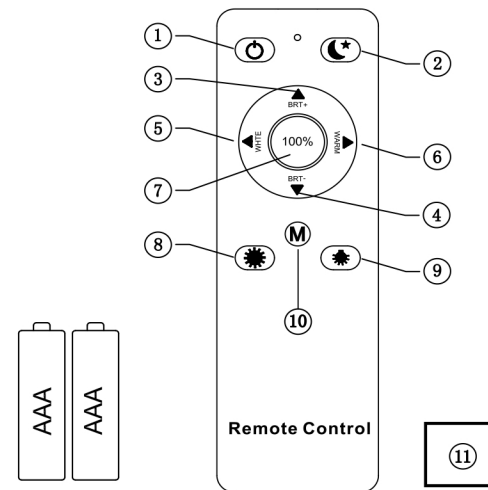
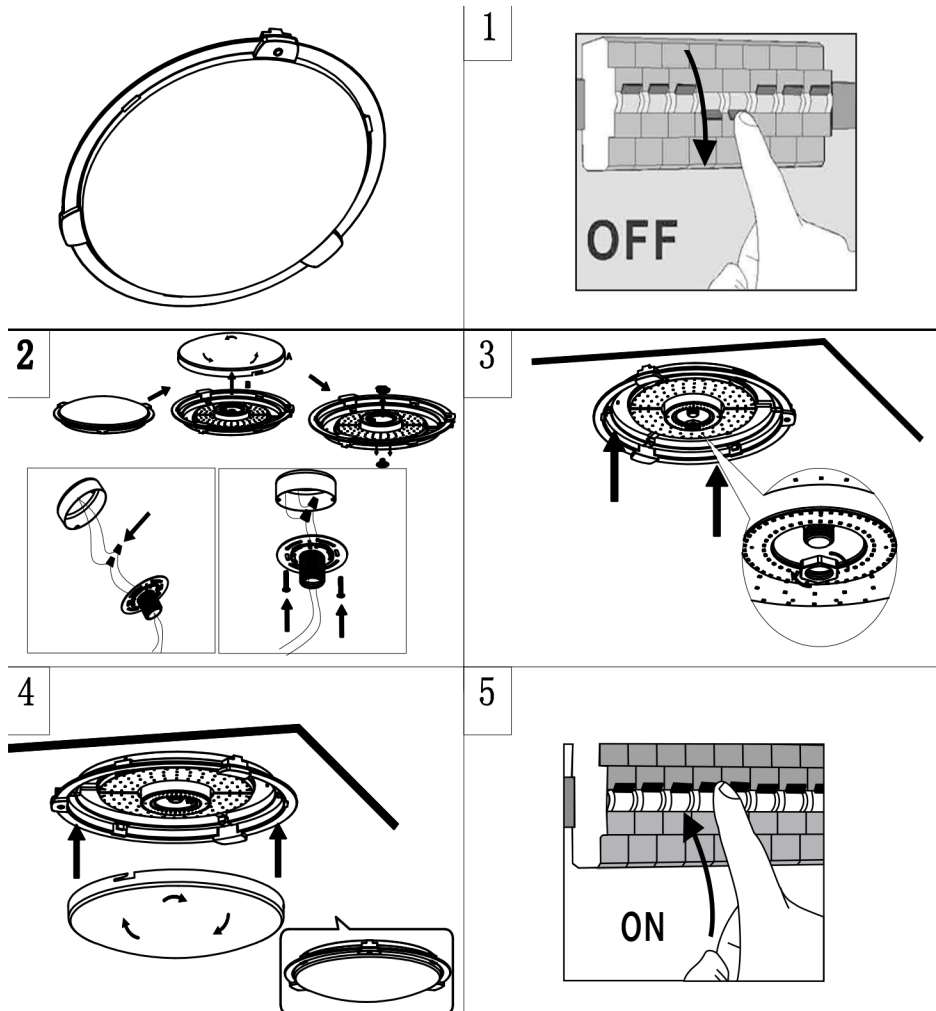


- Consult a qualified electrician if you have any electrical questions or need to replace the driver.

Care Instructions

Arnsberg suggests using only a micro fiber cleaning cloth to clean this fixture. If required, a slightly damp cleaning cloth may be used to spot clean. Do not use common household cleaners on this fixture, as the final finish may be damaged as a result. Enjoy your new Arnsberg fixture.

Mounting Instructions



1. ON/OFF 100%
2. Night Light ON/OFF and color adjustment
3. Brightness Increase
4. Brightness Decrease
5. Light to cool white
6. Light to warm white
7. Brightness 100% cool & warm light
8. Light with cool white 100%
9. Light with warm white 100%
10. Memorize the last light function ON/OFF
11. Wall switch ON/OFF with memory