

# Arnsberg

## Product Specification Sheet

**Item Number:**  
Created:  
Version - Updated:

**282810206**  
June 21th, 2017  
1.3 - 04/05/2018



**Group/Lifestyle Name:** H20

Available Finishes Chrome

**Dimensions and Materials:**

Width  
Overall Height  
Max Height  
Min. Height  
Base Width  
Extension  
Special Features  
Material  
Glass

6.5"  
  
  
  
  
  
  
Metal/Acrylic

**Electrical Specifications:**

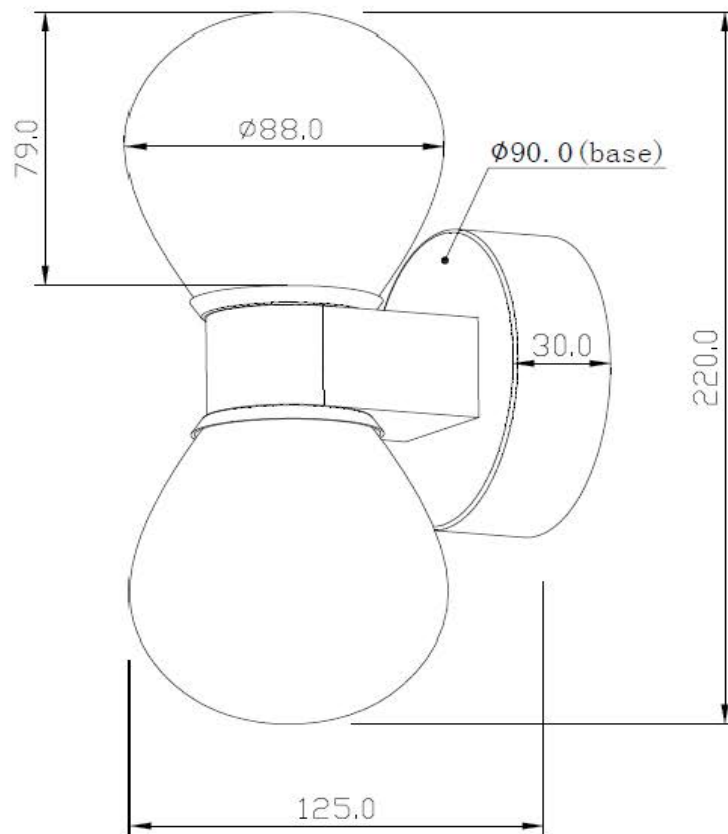
Light Source  
Light Source/Manufacturer  
LED Spec.  
Total Wattage  
Lumens  
Kelvin Temperature  
Dimmability  
Driver Specification - Quattro  
Driver Specification - Fully Dimmable  
Input Voltage  
Safety Rating (Location)  
Warranty+DS1  
Certification

LED  
  
  
6.4W  
560 Lumens  
3000K  
Quattro Dimming  
  
120V  
Indoor Damp  
5 Years  
ETL

**Shipping Information:**

Weight  
Carton Length  
Carton Width  
Carton Height  
Shipping Method  
Quantity Per Carton

3.5 lbs  
10"  
10"  
8"  
UPS  
1



282810206