

Arnsberg

Product Specification Sheet

Item Number:
Created:
Version - Updated:

229360242
June 21th, 2017
1.3 - 04/05/2018



Group/Lifestyle Name:

THAMES

Finish
Available Finishes

Charcoal Black
Titanium/Light Grey
White

Dimensions and Materials:

Width
Height
Material
Glass

5 1/2"
5 1/2"
Aluminum Frame
Tempered glass lens

Electrical Specifications:

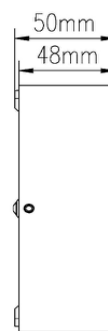
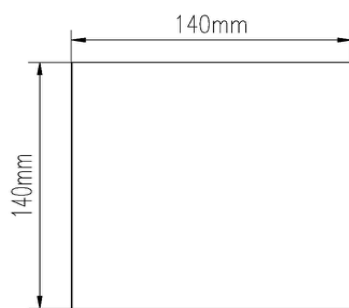
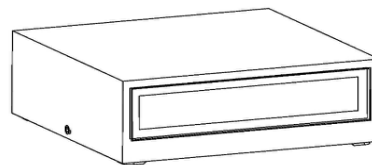
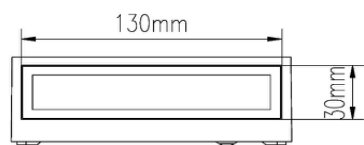
Light Source
LED Spec.
Total Wattage
Lumens
Kelvin Temperature
Dimmability
Input Voltage
Safety Rating (Location)
Warranty
Certification

LED
Integrated LED Array
6 W
360 Lumens
3000K
None
120V
Wet Location
5 Years
ETL

Shipping Information:

Weight
Carton Length
Carton Width
Carton Height
Shipping Method
Quantity Per Carton

2.74 lbs
8"
8"
6"
UPS
1



2293602XX