

### Parts Included:

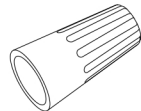
#### Mounting Strap



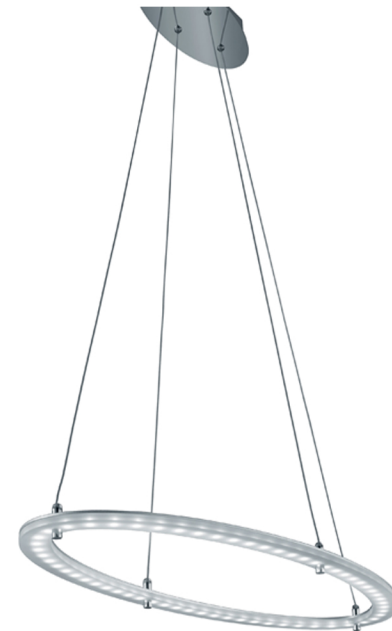
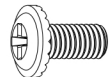
#### Mounting Screw



#### Wire Connector



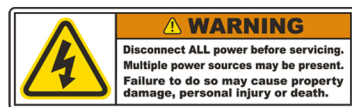
#### Outlet Box screw



### CSA / UL Safety Requirements

CSA/UL requires that these IMPORTANT SAFETY INSTRUCTION be listed:

- Before starting installation of this fixture or removal of a previous fixture, disconnect the power by turning off the circuit breaker or by removing the fuse at the fuse box.

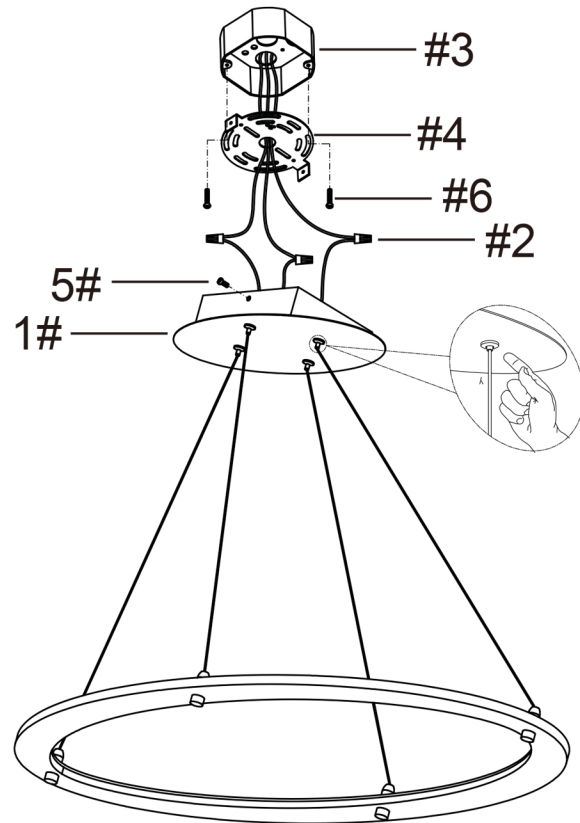


- Consult a qualified electrician if you have any electrical questions or need to replace the driver.

### Care Instructions

Arnsberg suggests using only a micro fiber cleaning cloth to clean this fixture. If required, a slightly damp cleaning cloth may be used to spot clean. Do not use common household cleaners on this fixture, as the final finish may be damaged as a result. Enjoy your new Arnsberg fixture.

### Mounting Instructions



### Assembly Instructions

1. Screw the two mounting screws (#6) into the mounting strap (#4). Mount the mounting strap (#4) to the outlet box (#3) screws (#5). Make sure the heads of the mounting screws (#6) are facing outside when the mounting strap (#4) is attached to the outlet box (#3).

2. Connect the ground wire from the fixture to the ground wire from the outlet box (#3). Connect the white wire from the fixture to the white wire (neutral wire) from the outlet box (#3). Connect the black wire from the fixture to the black wire (live wire) from the outlet box (#3). Cover the connections using the wire connectors (#2). Wrap the wire connections with electrical tape for a more secure connection. Position the wires back inside the outlet box (#3). Note: If you have electrical questions, consult your local electrical code for approved grounding methods.

3. Place the canopy (#1) over the outlet box (#3). Put the mounting screws (#6) into the holes of the canopy (#1) and the outlet box (#3). Screw the mounting screws (#6) to secure the canopy (#1).

4. Installation is complete. Turn on the power at the circuit breaker or fuse box. Turn the light switch on to activate the fixture.