

Arnsberg

Product Specification Sheet

Item Number:

Created:

Version - Updated:

282710206

June 20th, 2017

1.3 - 04/05/2018

**Group/Lifestyle Name:**

H20

Finish

Chrome

Dimensions and Materials:

Width

4 1/2"

Overall Height

6 1/2"

Extension

5"

Base Width

4 1/2"

Material

Metal/Acrylic

Electrical Specifications

Light Source

LED

Light Source/Manufacturer

LED Spec.

Total Wattage

5.6W

Lumens

360 Lumens

Kelvin Temperature

3000K

Dimmability

Quattro or Fully Dimmerable

Driver Specification - Quattro

24V-3503

Driver Specification - Fully Dimmable

24V-350

Input Voltage

120V

Safety Rating (Location)

Damp

Warranty

5 Years

Certification

ETL

Shipping Information:

Weight

4.4 lbs

Carton Length

10"

Carton Width

10"

Carton Height

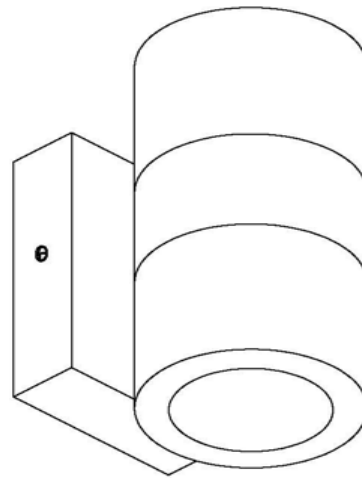
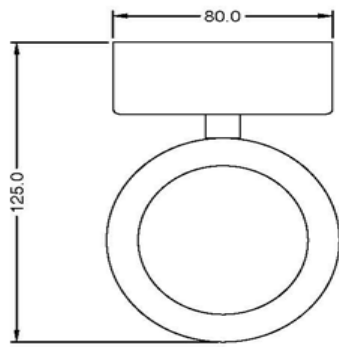
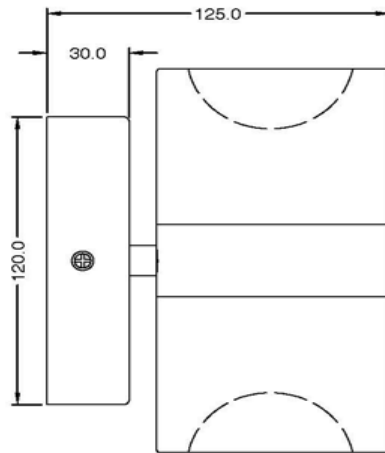
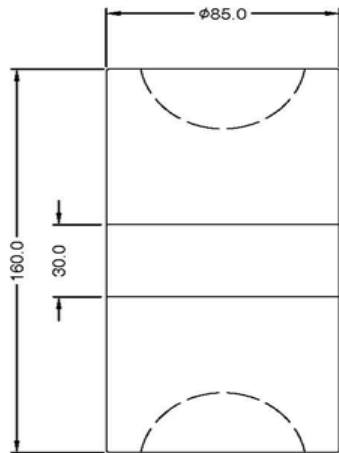
8"

Shipping Method

UPS

Quantity Per Carton

1



282710206