

Arnsberg

Product Specification Sheet

Item Number:**228060142**

Created:

June 21th, 2017

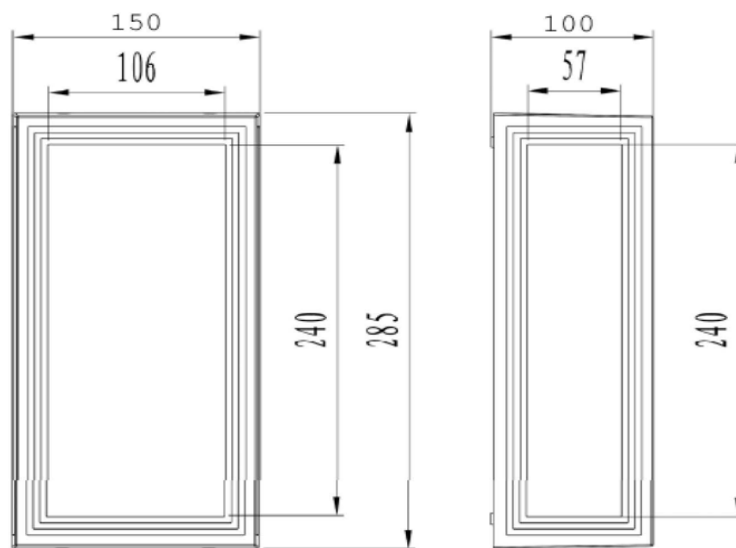
Version - Updated:

1.3 - 04/05/2018

**Group/Lifestyle Name:**

TIMOK

Finish
Available FinishesCharcoal Black
Titanium/Light Grey, White**Dimensions and Materials:**Width
Overall Height
Extension
Back Plate Size
Material6"
11 1/4"
4"
6" x 11 1/4"
Die-Cast Frame/Acrylic**Electrical Specifications:**Light Source
Dimmability
Input Voltage
Safety Rating (Location)
Warranty
CertificationE26 Socket
YES
120V
Wet Location
5 Years
ETL**Shipping Information:**Weight
Carton Length
Carton Width
Carton Height
Shipping Method
Quantity Per Carton4.2 lbs
8"
8"
12"
UPS
1



2280601XX