

# Arnsberg

## Product Specification Sheet

---

**Item Number:****228060101**

Created:

June 21th, 2017

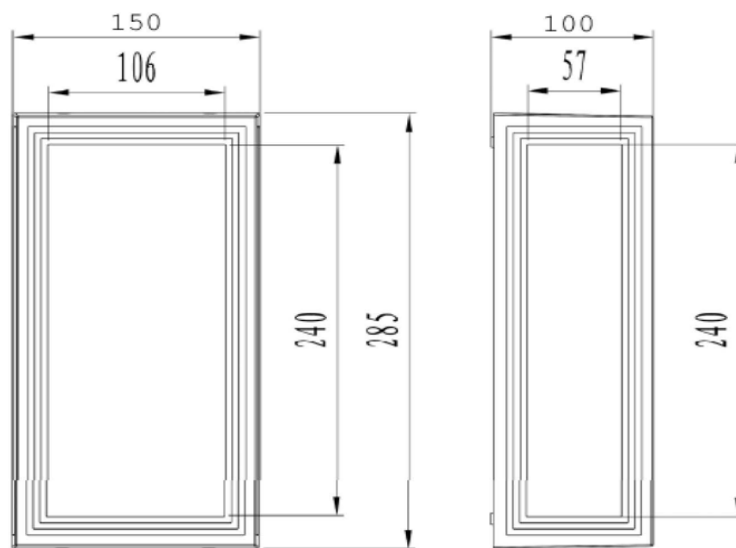
Version - Updated:

1.3 - 04/05/2018

**Group/Lifestyle Name:**

TIMOK

Finish  
Available FinishesWhite  
Titanium/Light Grey, Charcoal Black**Dimensions and Materials:**Width  
Overall Height  
Extension  
Back Plate Size  
Material6"  
11 1/4"  
4"  
W 6" x H 11 3/4"  
Die-Cast Frame/Acrylic**Electrical Specifications:**Light Source  
Dimmability  
Input Voltage  
Safety Rating (Location)  
Warranty  
CertificationE26 Socket  
None  
120V  
Wet  
5 Years  
ETL**Shipping Information:**Weight  
Carton Length  
Carton Width  
Carton Height  
Shipping Method  
Quantity Per Carton4.2 lbs  
8"  
8"  
12"  
UPS  
1



2280601XX