

Arnsberg

Product Specification Sheet

Item Number:
Created:
Version - Updated:

282670106
June 21th, 2017
1.3 - 04/05/2018



Group/Lifestyle Name:

H20

Available Finishes

Chrome

Dimensions and Materials:

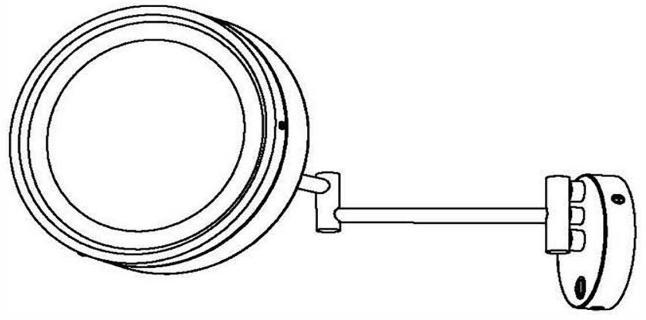
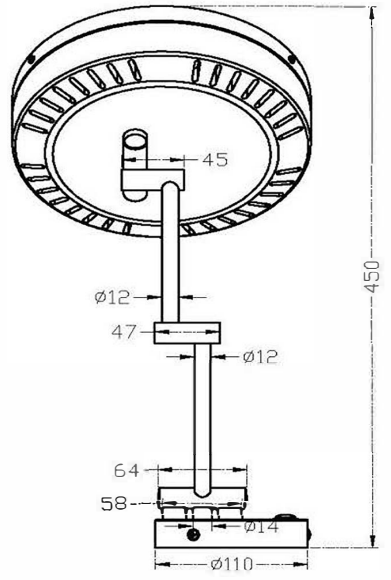
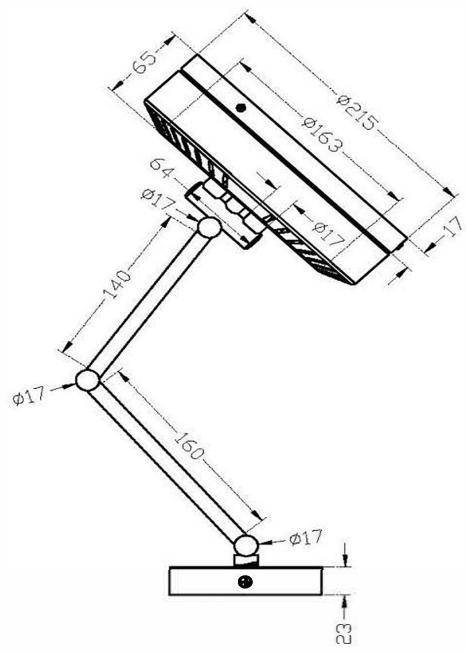
Width	17 3/4"
Overall Height	8 1/2"
Extension	17 3/4"
Special Features	Magnifying Mirror 3x
Material	Metal
Glass	

Electrical Specifications:

Light Source	LED
Light Source/Manufacturer	
LED Spec.	
Total Wattage	9W
Lumens	450 Lumens
Kelvin Temperature	4000K
Dimmability	None
Switch	On/Off
Input Voltage	120V
Safety Rating (Location)	Indoor Damp
Warranty	5 Years
Certification	ETL

Shipping Information:

Weight	5.2 lbs
Carton Length	16"
Carton Width	16"
Carton Height	8"
Shipping Method	UPS
Quantity Per Carton	1



2024-2025

282670106