

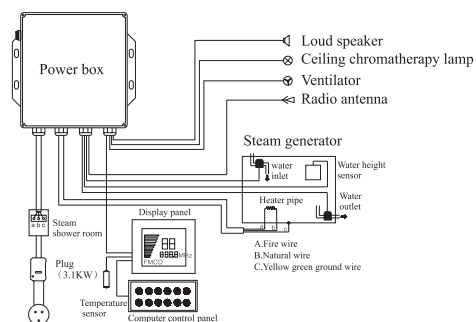


ARIEL
DA328F3 Installation Instruction

Safety Information

- 1.Product ground wire should be connected to permanent fixed ground wire.
- 2.It is prohibited to use this product under the influence of alcohol or hypnotic.
- 3.It is not allowed for children to operate this product without the supervision of adult.
- 4.Electrical components, except remote control, must be well placed and fixed so that they will never fall into the water.
- 5.Special Notice: Water temperatures can not exceed 60 degrees centigrade.
- 6.Do not use strong corrosive detergent (such as vitriol, hydrochloric acid, lye) to disinfect or clean the body of steam shower house.
- 7.Please read through this manual before usage and operate according to this manual.
- 8.The pump casing will be hot when motor working. To prevent being burnt by the steam, do not touch motor casing when motor is still running or just being stopped.
- 9.Before starting motor, please check and make sure the water supply level is over all the jets.
- 10.Don't let anything fall into or inserted into the opening of the motor and pump.
- 11.Don't modify the pump.
- 12.The diameter of ground wire shall be more than 1.5 square mm.
- 13.Caution: To prevent wire area has no electric shock, the ground outlet must be connected to GFCI/RCD (leakage circuit breaker)
- 14.Caution: To prevent electric shock, do not use extended wire. And the supply power socket must be located there.
- 15.Caution: To prevent being burnt by the steam, do not open the cover of the descale cleaning box during the motor is running.

Principle of the electric installation



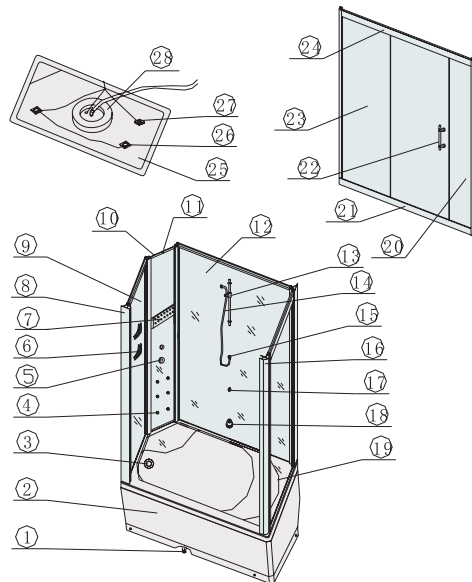
Equipments Reference

Parameter	Rated voltage	Rated voltage	Rated power
Components			
Pump	AC220-240V/50HZ	AC110-120V/60HZ	1125W
Steam generator	AC220-240V/50HZ	AC240V/60HZ	3000W
Chromatherapy lamp	DC12V	DC12V	10W
Ventilator	DC12V	DC12V	3W
Magnetic valve	DC12V	DC12V	5W
Computer control panel	AC220-240V/50HZ	AC240V/60HZ	
Loud speaker			10W
Remark			

CONTENTS

- 01-02 Components instruction
- 03-04 Water and electricity reserved diagram
- 05-12 Installation steps
- 13-14 F3 control panel buttons and functions instructions
- 15 Dirt elimination device of steam house instructions
- 16 Troubleshooting

Components instruction



Components instruction

Components instruction:

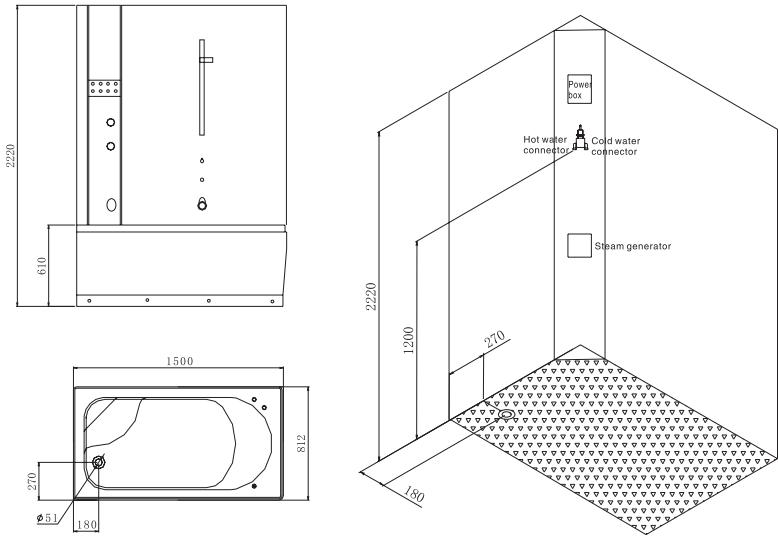
1. Adjustable leg	2. Bottom tub	3. Waste with trap	4. Jet	5. Faucet	6. Shampoo holder	7. Control panel
8. Corner aluminum profile	9. Left side shower body	10. Big panel	11. Temperature measurer	12. Front shower body	13. Elevating holder	14. Shower head
15. Shower head holder	16. Corner aluminum profile	17. Dirt descaling box	18. Steam outlet	19. Right side shower body	20. Small fixed door	21. Lower guide rail
22. Handle	23. Big fixed door	24. Upper guide rail	25. Top cover	26. Speaker 2pcs	27. Ventilator	28.

Accessories:

4x10 self locking screw 36 purchase	Stainless steel locking iron 12 purchase	Big decoration cap 6 purchase	3.5x30 self locking screw 8 purchase	4x25 self locking screw 6 purchase
4mm gasket 36pcs				
6x30 hexangular screw 4 purchase	6mm big gasket 8 purchase	Plastic gum cover 4 purchase	6mm stainless steel nut 4 purchase	

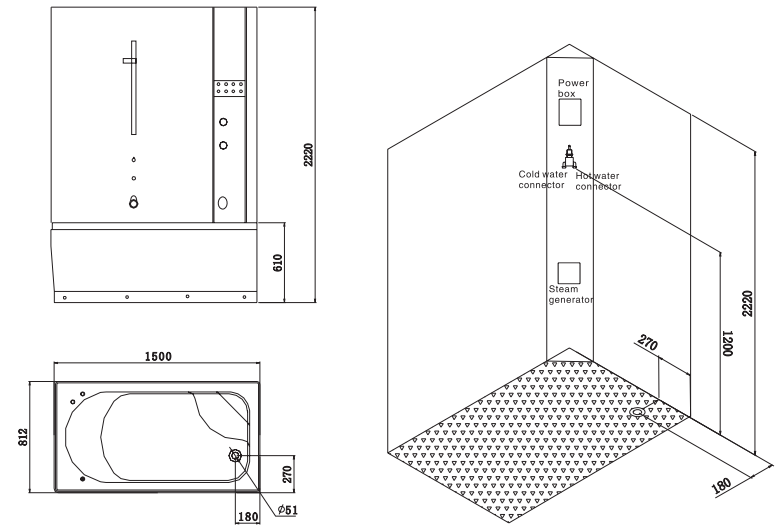
Water and electricity reserved diagram (DA328-1 Left side)

Size: 1500 × 812 × 2220mm



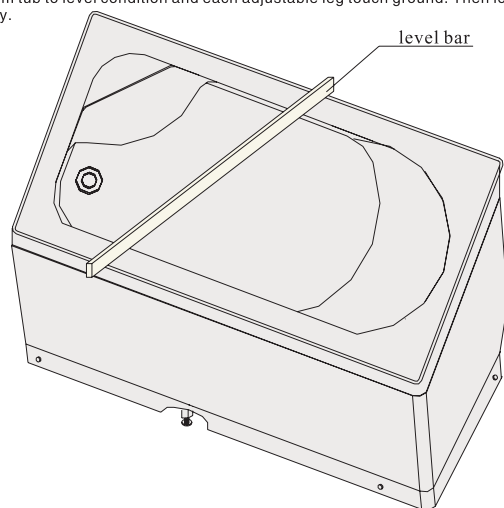
Water and electricity reserved diagram (DA328-1 right side)

Size: 1500 × 812 × 2220mm



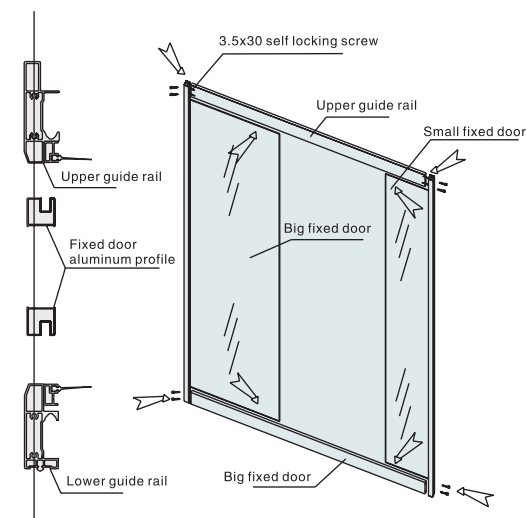
Step 1

1. Put bottom tub to installation place, and confirm tub surface is level. If tub surface is not level, please put the tub on the ground horizontally, then loosen nut of adjustable leg of bottom tub, put level bar on the bottom tub broadwise, adjust adjustable leg till level. Take a L-square against the bottom tub and keep it vertical with wall, adjust adjustable leg with wrench, adjust the bottom tub to level condition and each adjustable leg touch ground. Then lock nut of ground leg tightly.



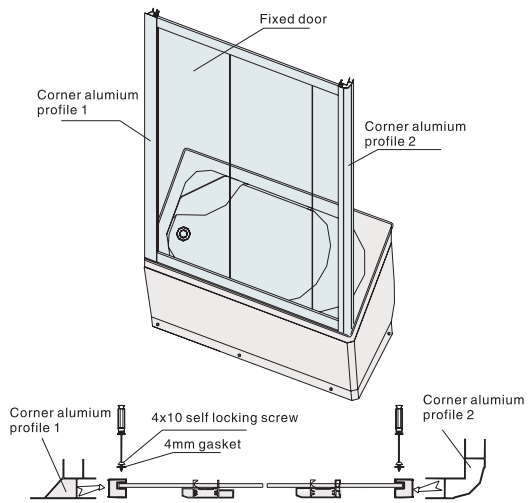
Step 2

1. Put a cardboard on the ground, then take out big fixed door, small fixed door and guide rail aluminum profiles, and connect them with 3.5x30 self locking screws.



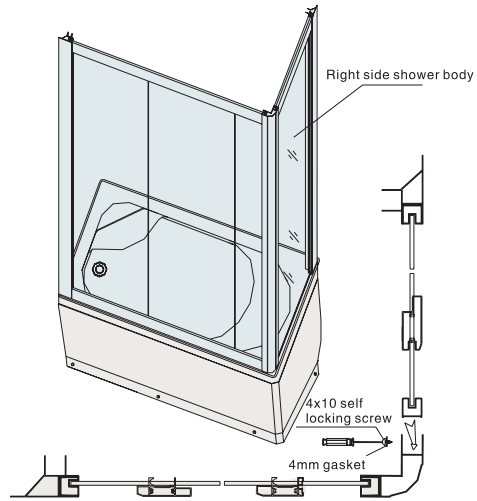
Step 3

1. Put two pieces corner door pockets on fixed door aluminum profile, then connect them with two pieces shower body with 4x10 self locking screws tightly.



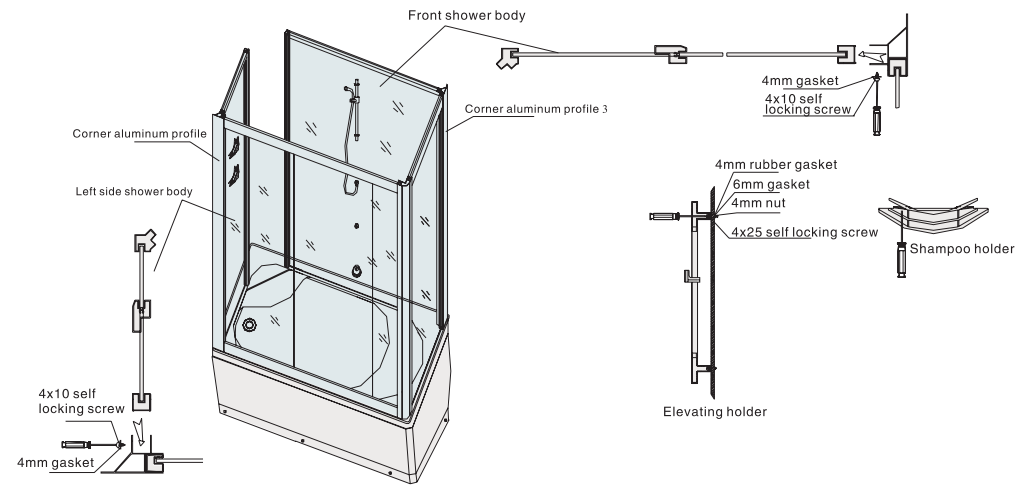
Step 4

1. Connect right side shower body and fixed door with 4x10 self locking screw.



Step 5

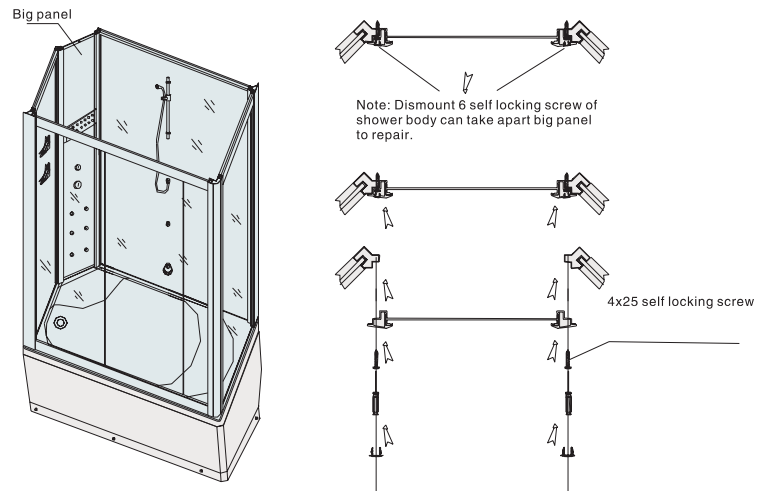
1. Put left side shower body and front shower body to left and right side shower body and corner aluminum profiles. Then install shampoo holder and elevating holder.



Step 6

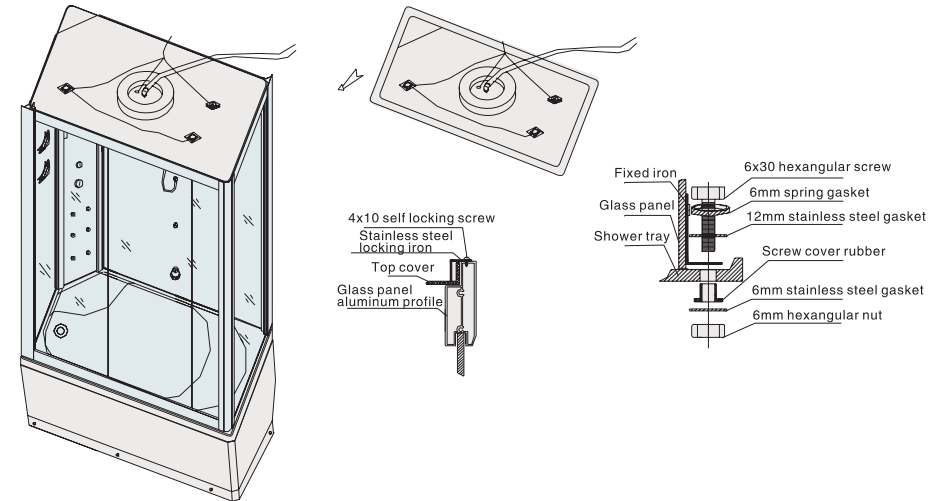
1. Connect big panel and left side shower body, front shower body with 4x25 self locking screw, then put decoration cap on it.

Note: Dismount 6 self locking screw of shower body can take apart big panel to repair.



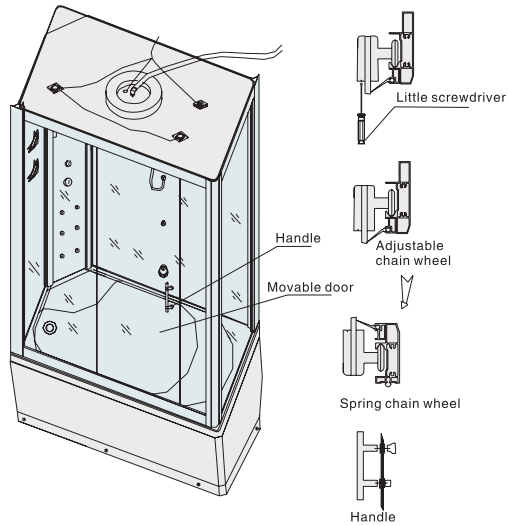
Step 7

1. Put top cover on the top, then fix it with stainless steel locking iron and 4x10 self locking screw, connect shower tray and glass panel with 6x30 hexangular screw.



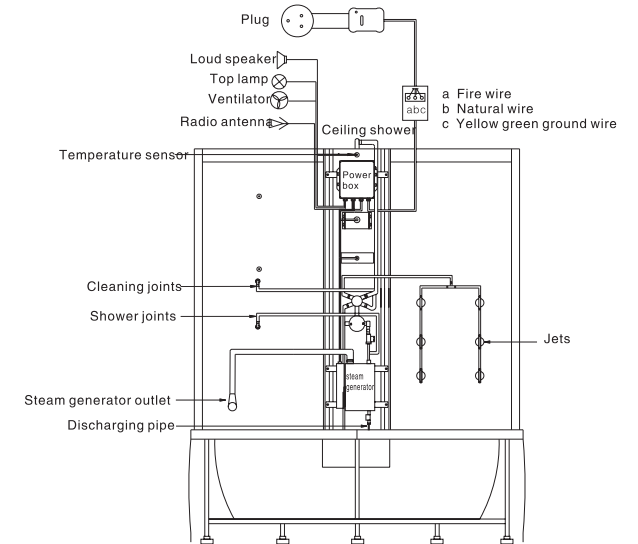
Step 8

1. Install movable door, handle and waterproof adhesive tape. (Note: adjustable chain wheel is upper chain wheel, the other is spring lower chain wheel. Hang upper chain wheel upper guide rail, then press lower chain wheel to lower guide rail. If left and right movable doors don't seal well, please adjust with little screwdriver)

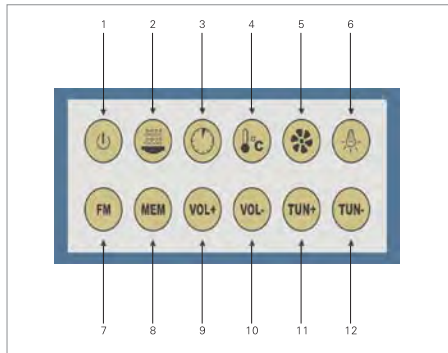


Step 9

1. Fix top shower pipe, steam inlet pipe, steam pipe, steam drainage pipe, cold and hot water pipe, then test shower house, fittings and electric appliance once separately.



F3 control panel buttons and functions instruction



- | | | |
|------------------------|-------------------|--------------------|
| 1. Power on/off | 2. Steam | 3. Time setting |
| 4. Temperature setting | 5. Ventilator | 6. Chromatic light |
| 7. Radio | 8. Channel saving | 9. Volume + |
| 10. Volume - | 11. Frequency + | 12. Frequency - |

1. Power on/off

Press to turn on the control system. Press it again to turn off the control system. It will be automatically shut down in 60 minutes. (As icon 1)



Icon 1

2. Steam

Press to start steam function. (As icon 2)



Icon 2

3. Time setting

When turn on steam function, press to increase the setting time, press over 1 second to increase time automatically until it reaches maximum limit, then it will turn back to minimum limit automatically (as icon 3). The time setting range: 5-50 minutes. The default time is 30 minutes.



Icon 3

4. Temperature setting

When the steam function is turned on, press to increase the temperature. Press over 1 second, the temperature will increase automatically (as icon 4) until it reaches maximum limit, it will turn to minimum limit automatically. The temperature range: 20-50°C, ±3°C. The default temperature is 40°C.



Icon 4

5. Ventilator

Press to start ventilator, press again to turn off the ventilator. (As icon 5)



Icon 5

6. Chromatic light

Press to start chromatic light, then press once to change one colour. When press first time, the blue light on. When press second time, the blue & red light on. When press third time, the red light on. When press the fourth time, the red & orange light on. When press fifth time, the orange light on. When press the sixth time, the orange & blue light on. When press seventh time, the chromatic light will change on cycling, when press the eighth time, the light will turn off. Chromatic light works in this sequence circle: blue, blue& red, red, red & orange, orange, orange & blue. (as icon 6)



Icon 6

7. Radio

Press to turn on radio function, press again to turn off the radio function (As icon 7).



Icon 7

8. Channel saving

Press and release it within 1 second, it will turn to next channel, press it over 1 second, the current channel will be saved to next storage location. It can save 8 channels.



Icon 8

9. Volume +

When the radio is turned on, press to increase the volume.



Icon 9

10. Volume -

When the radio is turned on, press to decrease the volume.

11. Frequency +

When the radio is turned on, press to increase the frequency. If press it over 1 second, the frequency will search last channel automatically. The frequency range: 87.5-108.0MHZ.

12. Frequency -

When the radio is turned on, press to decrease frequency, press it over 1 second, it will search next channel automatically. The frequency range: 87.5-108.0MHZ.




Icon 10

Dirt elimination device of steam house instructions

Steps: Turn off system→Open dirt elimination box→Add washing liquid→Cover dirt elimination box→Turn on system and start steam function to clean automatically→Turn off system and discharge water.

1. Turn off system

For safety, it is forbidden to open the cap of dirt elimination box during turning on system so as to avoid being burnt by the steam. Please turn off others functions when using cleaning function, that is to press  to turn off system. (As picture 1)



Picture 1

2. Open dirt elimination box

After confirming the system is power off, press the right label and find dirt elimination box in the steam house to turn the cover to reversed direction, then take out the box cover. (As picture 2)



Picture 2

3. Add washing liquid

Open the detergent box, use the spoon to pour the citric acid or compounds cleaning fluid into the box. (As illustrated at drawing 3)



Picture 3



4. Cover dirt elimination box

After add cleaning liquid, turn the box cover in clock wise direction, then screw it tightly to avoid the steam hurting the people. (As picture 4)



Picture 4

5. Turn on system and start steam function

After covering the dirt elimination box, press  to turn on system, then press  to start steam function to clean automatically. (As picture 5)



Picture 5

6. Turn off system and discharge water.

Steam function is turned on 5 to 10 minutes later, press  to turn off steam function, then press  to turn off system. Dirt water will be discharged automatically. The cleaning process will be finished after 5 minutes. (As picture 6)



Picture 6

Notice:
1. It is forbidden to use steam function when using cleaning function.
2. It is forbidden to use any strong acid and alkali chemical compound to clean steam generator.
3. It is forbidden to use solid cleanser to clean steam generator to avoid plugging pipes.
We recommend to use citric acid liquid to clean steam generator.

Troubleshooting

Malfunctions	Causes	Solutions	Malfunctions	Causes	Solutions
Shaking of bathtub and too noisy	<ol style="list-style-type: none"> 1.The steel stand at bottom of bathtub is not balanced. 2.The fasten screws for motor and shockproof rubber is incomplete or loose. 3.Problem of motor. 	<ol style="list-style-type: none"> 1.Adjusting the leg to make the steel stand even. 2.4 pieces of screws and 4 shockproof rubbers shall be provided for the motor. Fasten the nuts. 3.Contact with your dealer or the manufacturer. 	Chromotherapy light doesn't work	<ol style="list-style-type: none"> 1.Plug is off. 2.Control circuit board is burnt. 	<ol style="list-style-type: none"> 1.Re-plug in the plug or replace plug. 2.Contact with dealer or the manufacturer after-sale department.
			Slow water outlet	<ol style="list-style-type: none"> 1.Supply water pressure is low. 2.Water inlet block. 	<ol style="list-style-type: none"> 1.Check supply water pressure. 2.Clean water inlet filter.
The motor is working normally, but no water comes out from jets or water pressure is not normal (The pressure is not enough)	<ol style="list-style-type: none"> 1.The suction is partly clogged. 2.The water level is too slower(the pressure is not enough). 3.The hydro-massage water regulating switch is turned off. 4.Air exists in air pump water inlet. 5.Others. 	<ol style="list-style-type: none"> 1. Use the screw driver to dismantle the suction and clean it so as to make the water flow smoothly. 2.Fill in water until it reaches to normal height, that means the water level is higher than the sensor screws. 3.Turn on the hydro-massage water regulating switch. 4.a)Turn on the cleaning function to drive out the air. b)Fasten connecting wter inlet parts of water pump to prevent air in. 	The pop-up water outlet valve can't pop-up or it is leaking	<ol style="list-style-type: none"> 1.The waste cover is leakage, the screw is loose or the water divert adjusts too low. 2.The pulling cord of water outlet is broken. 3.The washer is uneven. 	<ol style="list-style-type: none"> 1.Take off the stopper of pop-up water outlet valve, fasten the screws or adjust the top hole to the proper place. 2.Replace with new rubber. 3.Dismantel the water outlet, level the washer and re-install it.
			Display panel doesn't work	<ol style="list-style-type: none"> 1.Power off or wrong wiring. 2.Switched off. 3.Wire connection to control box is loose. 	<ol style="list-style-type: none"> 1.To provide power supply and do correct wiring. 2.Turn on the switch. 3.Refasten the wiring connection.
The massage motor or the air motor can't be started	<ol style="list-style-type: none"> 1.Voltage is abnormal or electric power is disconnected. 2.The air pressure switch or the micro pneumatic switch is broken. 	<ol style="list-style-type: none"> 1.Switch on the power. 2.Call an electrician to replace the air pressure switch or pneumatic switch with the same specification. 	Steam key signal on, but no steam comes out	<ol style="list-style-type: none"> 1.Temperature limiter or heater is burnt. 	<ol style="list-style-type: none"> 1.Ask professional people to repair.
			Colorful light doesn't work	<ol style="list-style-type: none"> 1.The circuit of light connection is break or the lamp seat is loose. 2.The light board is broken. 	<ol style="list-style-type: none"> 1.Replace it or re-fasten it. 2.Replace.
Ventilator doesn't work			<ol style="list-style-type: none"> 1.Plug is off. 2.Fan blade is blocked. 3.Ventilation fan broken. 	<ol style="list-style-type: none"> 1.Re-plug in. 2.Drive the fan gently after opening. 3.Replace broken ventilator. 	

ARIEL

500 West Warner Avenue, Santa Ana, CA

ArielBath.com | AtlasUSA.net

Email: sales@arelbath.com | Phone: 1-714-622-1565