



**Special Note:** The configuration of this unit is subject to change without prior notice.  
Our company reserves the final explanation right to this manual.

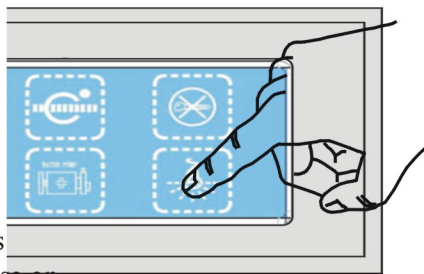


## Underwater Lamp

1. Press this key once will turn on the red light, and press again to turn on the red-green light. Press the key at the third time and the green light will be turned on, and press it at the fourth time to turn on the green-blue light. Press the key at the fifth time to turn on the blue light and press again to turn on the blue-red light. Press the key at the seventh time, the light will be turned on circularly and the pitch time is 2 seconds, and press it again to turn off the light and so on.

2. Chromotherapy works in this sequence:

Red → Red-green → Green → Green-blue → Blue → Blue-red



## Air Regulator

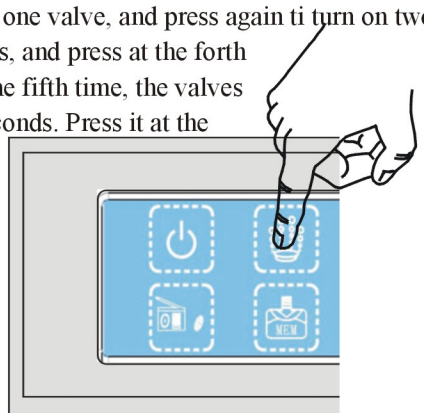
1. After turn on the motor, press this key once to open one valve, and press again to turn on two valves. Press it at the third time to turn on three valves, and press at the fourth time, four valves will be turned on. Press the key at the fifth time, the valves will be turned on circularly and the pitch time is 3 seconds. Press it at the sixth time to turn on the valves intermittently. That means these four valves will be turned on for 2 seconds and then turned off for 1 seconds and so on.

2. The valves work in this sequence:

1 valve ⇄ 2 valves ⇄ 3 valves ⇄ 4 valves

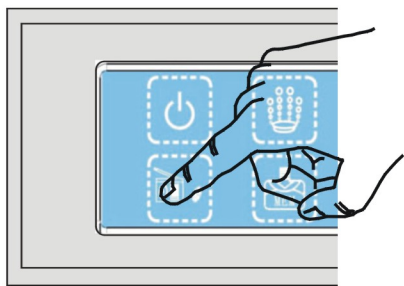
1 valve ⇄ 2 valves ⇄ 3 valves

3. The air regulator controlled by water level in the bathtub. When the water level is lower than the standard level, the regulator can not be turned on until the water level is over the standard level



## Radio

Press this key to turn on/off the radio system.



## + Key

1. For frequency,

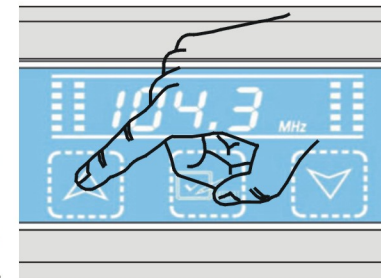
Press this key to increase the frequency. If keep pressing it more than 1 second, the frequency will be increased automatically until one channel be searched or reaching 108.0MHZ.

2. For volume,

Press this key to increase the volume. If keep pressing it more than 1 second, the volume will be increased automatically until you stop pressing it or it reaches the maximum volume.

3. For temperature,

Press this key to increase the setting temperature for heater. The temperature setting range is between 20~45 degree centigrade. The default temperature is 40 degree centigrade.



## - Key

1. For frequency,

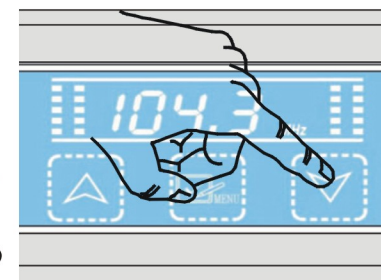
Press this key to decrease the frequency. If keep pressing it more than 1 second, the frequency will be decreased automatically until one channel be searched or reaching 87.5MHZ.

2. For volume,

Press this key to decrease the volume. If keep pressing it more than 1 second, the volume will be decreased automatically until you stop pressing it or it reaches the minimum volume.

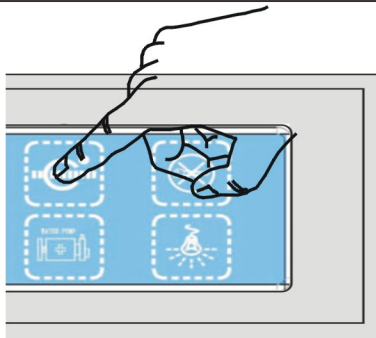
3. For temperature,

Press this key to decrease the setting temperature for heater. The temperature setting range is between 20~45 degree centigrade. The default temperature is 40 degree centigrade.



## Heater

1. Press this key to turn on/off the heater when the motor is on.
2. The heater is controlled by the water level in the bathtub. When the water level is lower than the standard level, the motor can not turned on until the water level is over the standard level.



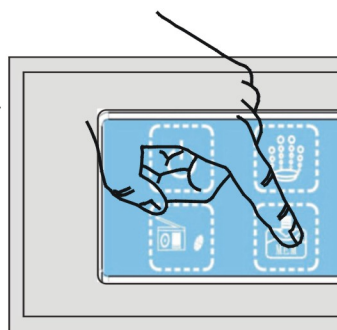
## Operating Instruction

After cleaning, turn on the water outlet switch until all the dirty water has flowed out. Then turn off the switch. Fill all the pipes with clean water until the water level above the water level sensor. Turn on the switch of cleaning function to drive out the air in the pipes and water pump so as to prevent the pump from working without water. The jets are adjustable. Please repeat 2 and 3 times of air driving procedure to ensure air is completely driven out of pipes. You can adjust the angle of jets for what you want. Turn off cleaning function then you can turn on water regulating switch.

**Note:** The water temperature should not above 60 degree centigrade.

## Saving Key

1. When the radio is on, pressing this key more than 1 second, the current channel will be saved. It can save up to 8 channels.
2. When the radio is on, pressing this key and release with 1 second, and it will search the location of the next channel.



## Cleaning of Acrylic Surface and Accessories Generally

### Clean the acrylic surface,

General cleaning product can be used with no problem whatever for normal cleaning. Apply with a sponge or soft cloth and rinse off with cleaning water. When scratches appear, use 1500# sandpaper to scrub it and then polish it by applying toothpaste and soft cloth, or you can use some special cleaner. Do not use strong corrosive detergent such as ammoniate, acetone, formic acid, formaldehyde.

### Clean the electroplated fittings,

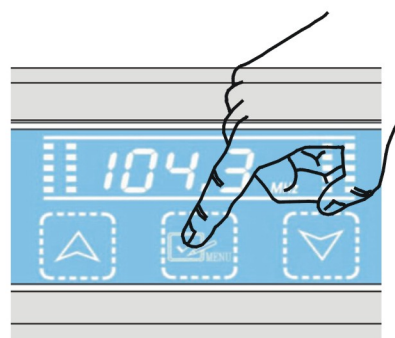
Soft cloth can be used for general cleaning. Do not use coarse cloth.

### Clean cover net for suction,

Unfasten the screws. Take out the net and clean it to make sure it is expedite. Do not use strong corrosive detergent such as ammoniate, acetone, formic acid, formaldehyde.

## Choosing Key

1. Press this key to choose frequency, volume for radio and temperature for heater to adjust.
2. Frequency range is between 87.5~108.0MHZ
3. Volume: 8  $\Omega$  /10W。
4. Temperature setting range is between 20~ 45 $^{\circ}$ C.



**Note:** The setting time for auto-drainage function is 30 minutes.



1. Read and follow what is specified in this manual.
2. Installation of motor shall be performed by a qualified electrician.
3. The motor driving the water pump can reach high temperatures. To avoid being burned, do not touch the casing of motor.
4. Ensure the water level is above the jets before starting the motor.
5. This product can only be connected to GFCI/RCD power supply. The installation of GFCI/RCD shall be performed by a qualified electrician and be tested according to operating instruction of GFCI/RCD.
6. Do not drop or insert any item into the entrance of water pump and motor.
7. Do not modify the water pump. Do not add anything to the water pump.
8. When using water pump for bathtub, the air switch driver shall be installed on the highest point of the bathtub. (Pressing air bag switch)
9. There is a connecting bolt inside the connecting box. To prevent electric shock, please connect the bolt to the ground wire on electric circuit board, use the same nonconducting brass wire with specification not less than 1.5mm<sup>2</sup>.
10. **Warning**--To prevent leakage current, GFCI/RCD shall be installed.
11. **Warning**--To prevent leakage current, worn-out wire shall be replaced in time.
12. **Warning**--To prevent electric shock, do not use extended electric wires. Receptacle shall be properly located!

Malfunction	Cause	Solutions
Shaking of bathtub and too noisy	<ol style="list-style-type: none"> <li>1. The steel stand at bottom of bathtub is imbalanced. Or the nuts are loose.</li> <li>2. The screws for fastening motor and shockproof rubber is incomplete or loose.</li> <li>3. The motor is idle.</li> <li>4. Problem of motor.</li> </ol>	<ol style="list-style-type: none"> <li>1. Level the tub, make the steel stand even and fasten the nuts.</li> <li>2. 4 pieces of screws and 4 shockproof rubbers shall be provided for the motor. Fasten the nuts.</li> <li>3. Fill in water until it reaches normal height. (Above screw for the water level sensor)</li> <li>4. Contact your dealer.</li> </ol>
The motor is working normally, but no water comes out from jets or the water pressure is too low.	<ol style="list-style-type: none"> <li>1. The suction is partly clogged.</li> <li>2. The water level is too low.</li> <li>3. The hydro-massage water regulating switch is turned off.</li> <li>4. Air exists in water inlet pipe of water pump.</li> <li>5. Others.</li> </ol>	<ol style="list-style-type: none"> <li>1. Dismantle the suction and clean it so as to make the water flow smoothly.</li> <li>2. Fill in water until it reaches normal height. (Above screw for the water level sensor)</li> <li>3. Turn on the hydro-massage water regulating switch.</li> <li>4. a) Turn on the cleaning function to drive out the air. b) Fasten connecting water inlet parts of water pump to prevent air in. c) Turn off cleaning valve.</li> <li>5. Air pipes are connected to water pipes by mistake. It requires a qualified electrician to repair.</li> </ol>
<ol style="list-style-type: none"> <li>1. The massage motor can't be started.</li> <li>2. The air motor cannot be started.</li> </ol>	<ol style="list-style-type: none"> <li>1. Voltage is abnormal or electric power is disconnected..</li> <li>2. Protective fuse is broken or the GFCI is tripped.</li> <li>3. No signal on the circuit board.</li> <li>4. No signal from water level sensor.</li> <li>5. The micro pneumatic switch is broken</li> </ol>	<ol style="list-style-type: none"> <li>1. Turn on the power</li> <li>2. Call an electrician to examine, if nothing else is wrong, replace the fuse and turn on the power.</li> <li>3. Call your dealer.</li> <li>4. Fill in water until it reaches normal height. (Above screw for the water level sensor)</li> <li>5. Call an electrician to replace a pneumatic switch with the same specification.</li> </ol>



<b>Malfunctions</b>	<b>Causes</b>	<b>Solutions</b>
Chromatherapy doses not work	<ol style="list-style-type: none"> <li>1. Not plugged.</li> <li>2. Control circuit board is broken.</li> </ol>	<ol style="list-style-type: none"> <li>1. Plug in the plugs.</li> <li>2. Call your dealer.</li> </ol>
Water inlet is low	<ol style="list-style-type: none"> <li>1. The water pressure for water inlet pipe is too low</li> <li>2. The water inlet pipe has been plugged.</li> </ol>	<ol style="list-style-type: none"> <li>1. Check water pressure</li> <li>2. clean filter net.</li> </ol>
Water diverter does not work	The plastic washer is distorted or worn-out.	Replace it
The handwheel is loose		Press the screw of the top of handwheel and fasten the screw clockwise.
The pop-up water outlet valve can't pop-up or it is leaking	<ol style="list-style-type: none"> <li>1. The screw is loose or set too low.</li> <li>2. The pulling cord of water outlet is broken.</li> <li>3. The plastic washer is uneven.</li> </ol>	<ol style="list-style-type: none"> <li>1. Take off the stopper of pop-up water outlet vale, fasten the loosing screw or set the screw to a suitable position;</li> <li>2. Replace the broken set;</li> <li>3. Dismantle the water outlet, level the washer and reinstall it.</li> </ol>
No bubble from the holes of air pump.	<ol style="list-style-type: none"> <li>1. Impurities blocked the air pipe.</li> <li>2. The air pump is turned off.</li> <li>3. The air pump does not work.</li> </ol>	
Remaining water can't be driven out	Some models are not equipped with this function.	

# CONTENT

Safety Information ----- 1

Data Information ----- 3

Parts and Accessories -----11

Operating Instruction -----12

Usage and Maintenance -----19

Troubleshooting-----21

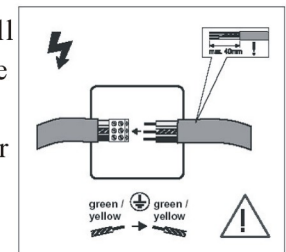


ISO9001: 2000

Please Keep This Manual

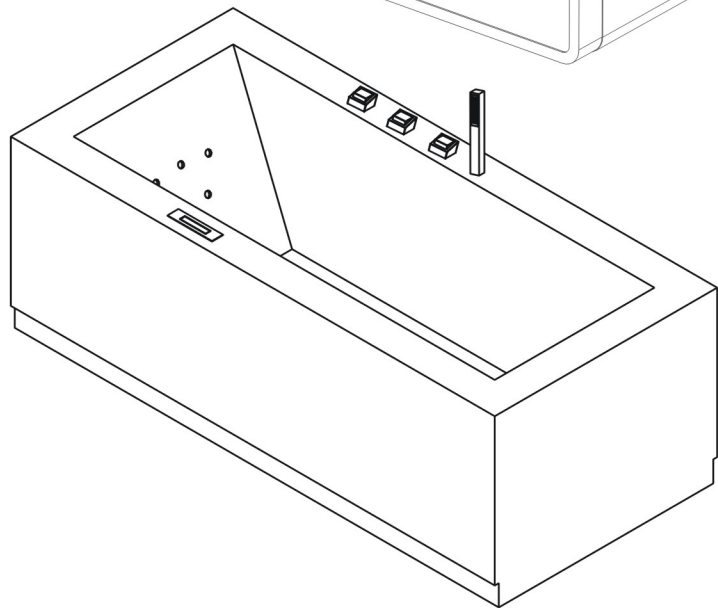
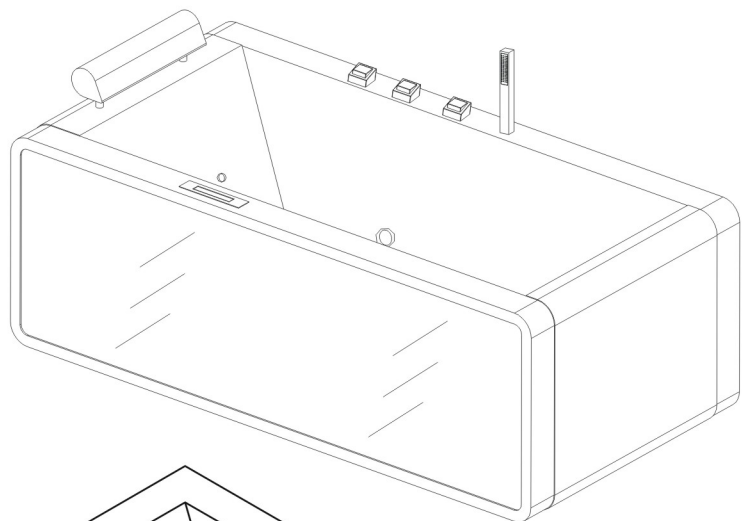
## ★ Important Safety Information

1. GFCI/RCD must be installed into power supply!
2. Grounding wire for electrical equipment should be connected on the fixed grounding wire.
3. The replacement of wires shall be performed by a qualified electrician or your dealer of this product.
4. To prevent electric shock, worn-out wires shall be replaced in time. Do not use extended electric wires. Receptacle shall be properly located!
5. Ground wires of the shell of water pump and air pump shall be well connected!
6. Do not touch the motor with your hands while the motor is operating!
7. Do not modify, add (parts or/and accessories) or remove any part of this product.
8. It is prohibited to operate this product under the influence of alcohol or hypnosis!
9. Children or teenagers shall have the supervision of adult while operating this product!
10. Persons inside the bathtub cannot touch live electrical components, except less than 12V low-voltage safe components.
11. Container or box with live parts shall be placed or fixed properly. Ensure them do not drop into the bathtub
12. Contact qualified electrician or your dealer to connect the power wires outside the power box. The



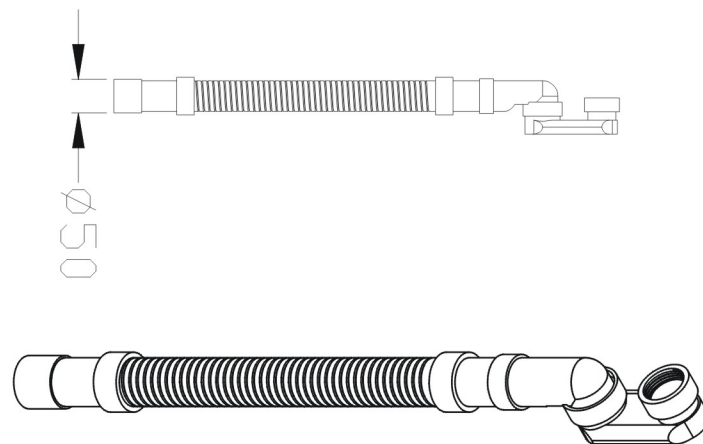
# Whirlpool Bathtub with TS Control Panel

## Electrical Data



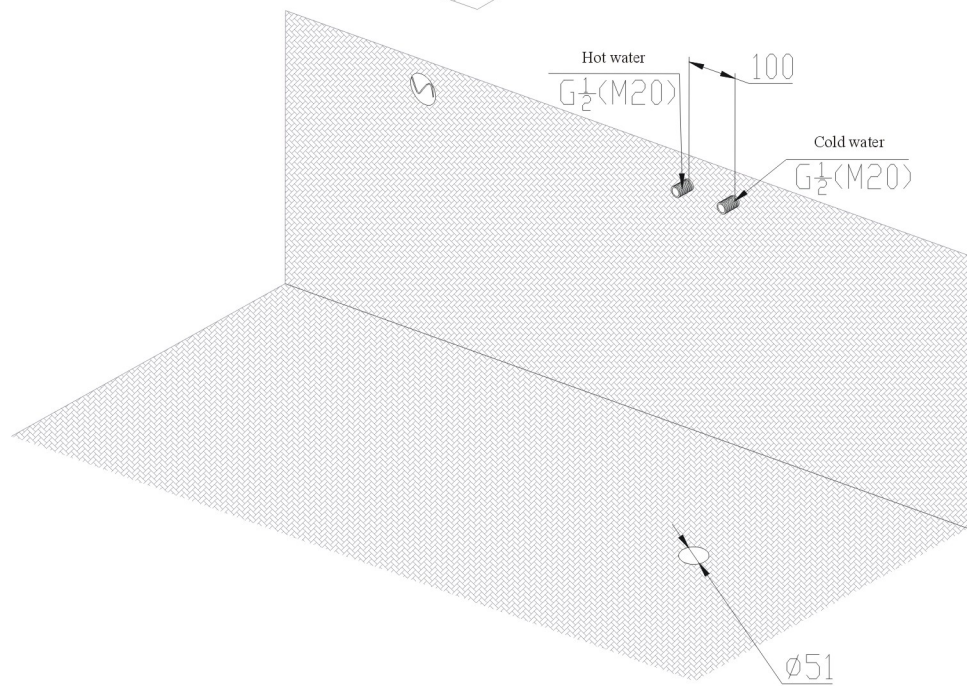
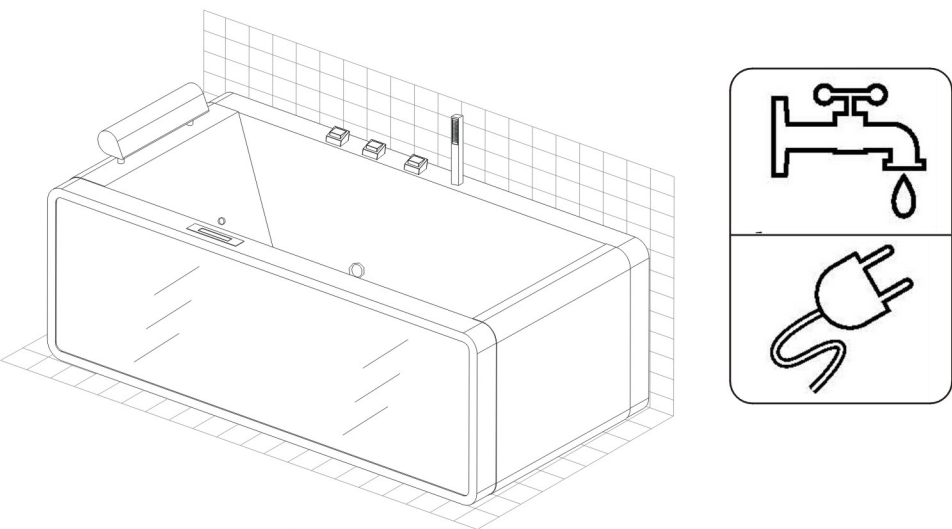
Equipment Data	Motor	Ozone generator	Underwater lamp	Heater	Control panel	Magnet valve
Rated Voltage	AC220V 50Hz	AC12V	DC12V	AC220V 50Hz	AC220V 50Hz	DC12V
Power	0.9kW (1.2HP) 1.5kW (2HP)	0.005kW	0.003kW	1.5kW	2.428Kw 3.028Kw	0.005Kw x 4
Remark	Standard	Standard	Standard	Standard	Standard	Standard

## Drawing for Waste with Trap

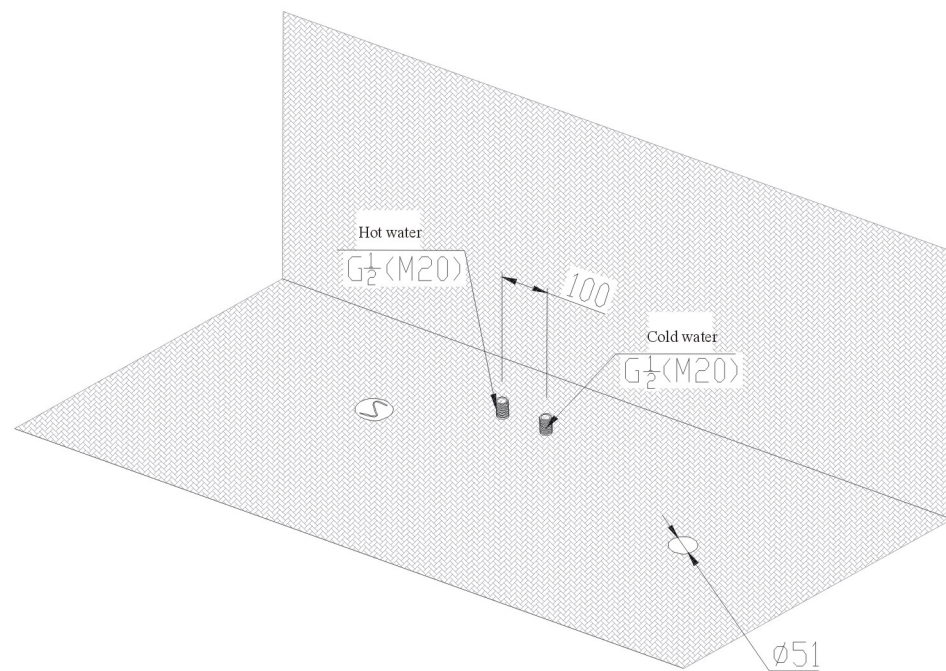
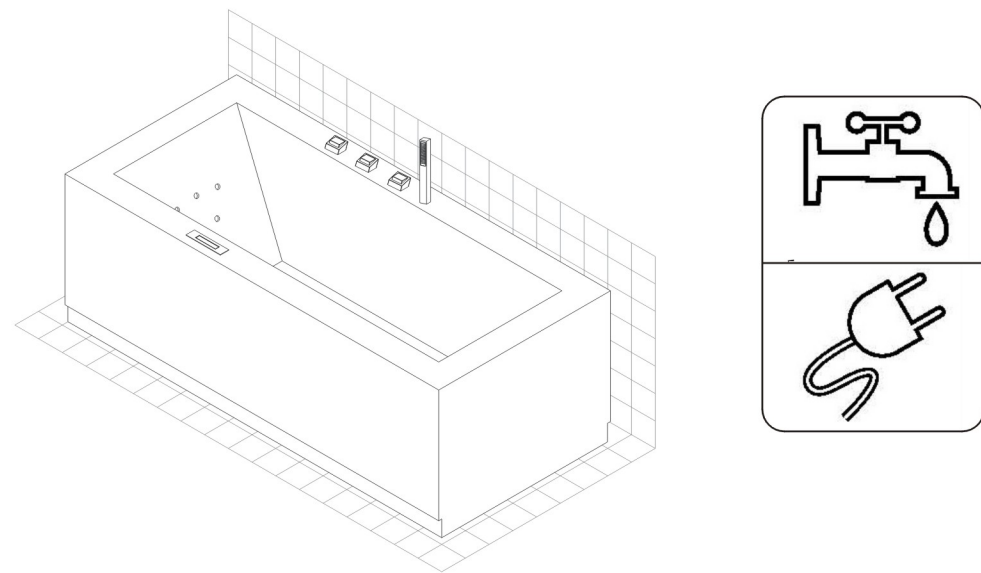


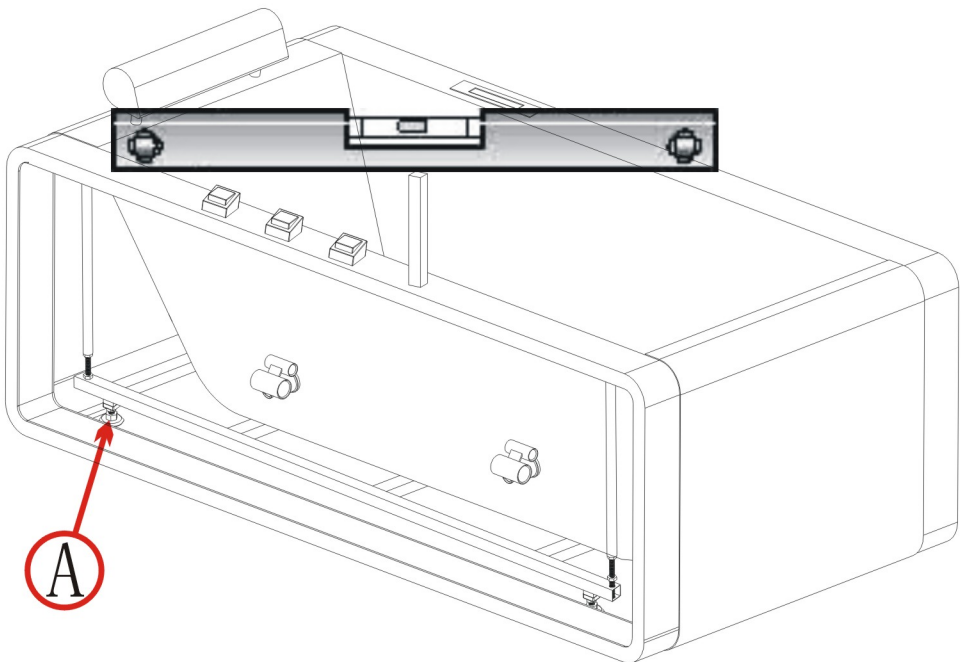


# Drawing 1 for Pre-positioning of Electric Supply and Water Supply

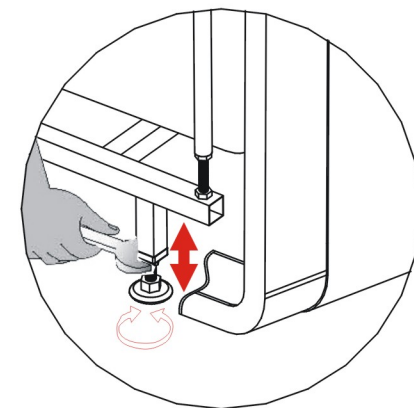


# Drawing 2 for Pre-positioning of Electric Supply and Water Supply





1. Unfasten the fixing nuts of adjusting legs on the bottom of bathtub with monkey spanner.
2. Rotating the adjusting legs clockwise or anti-clockwise until the bathtub is level.

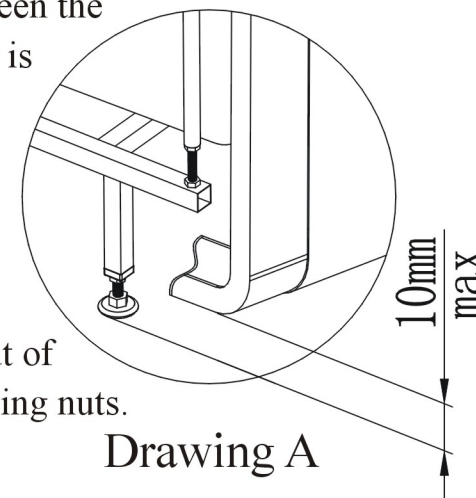


Drawing A

1. Put the bathtub onto the installing position carefully.
2. Adjust the bathtub with level.
3. You can install the bathtub when it is level.
4. When the bathtub is not level, you should adjust it according to the following 2 procedures.

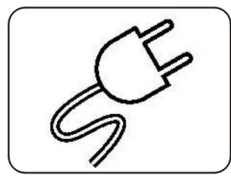
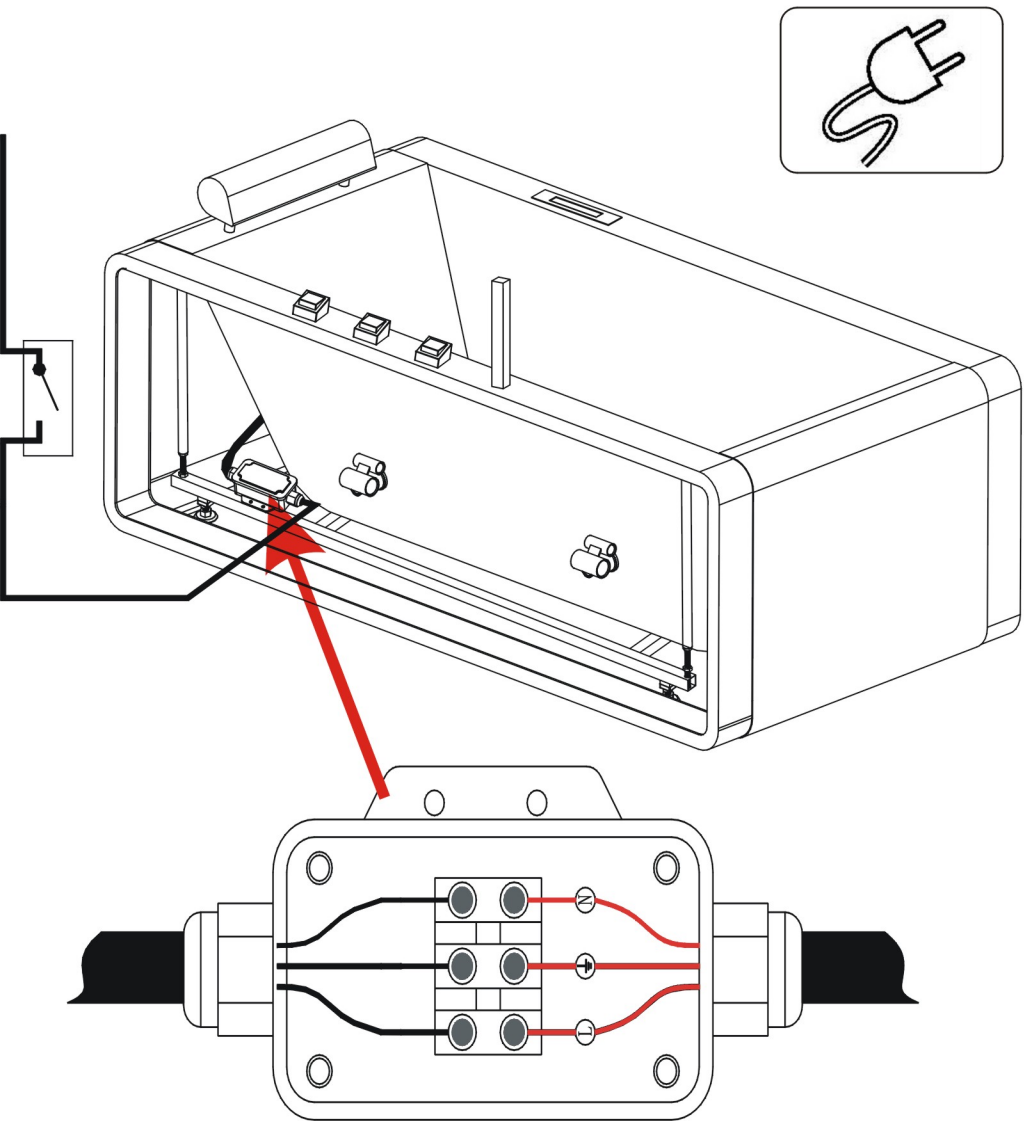
Adjusting Procedure 2

1. When the bathtub is level, please make sure the distance between the bottom surface and the floor is in the standard range.
2. Fasten the fixing nuts when the distance is in the range.
3. Adjust the distance if it is out of the range, then fasten the fixing nuts.

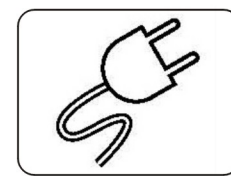
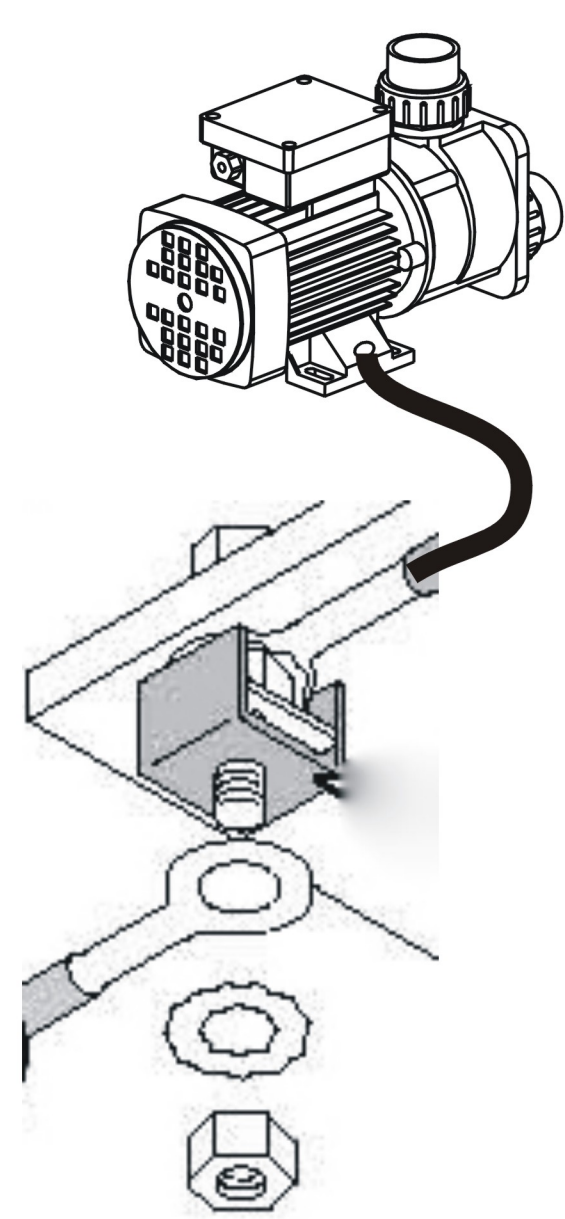


Drawing A

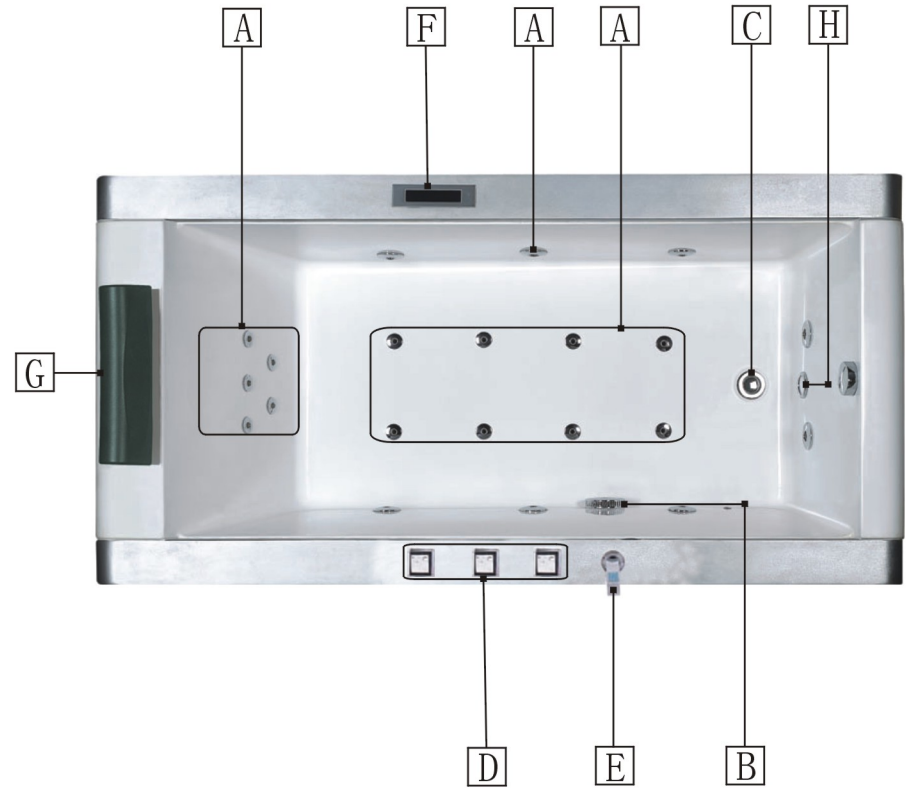
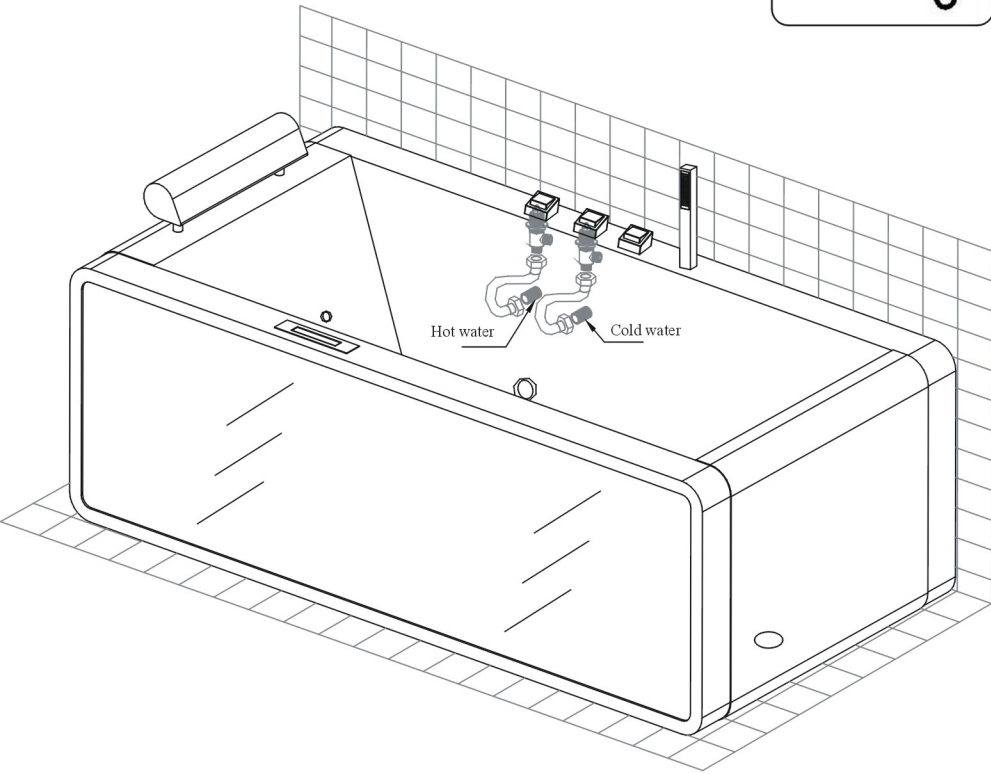
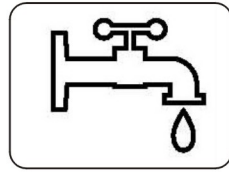
# Connecting Drawing for Electric Power ▼



# Connecting Drawing for Grounding Wire of Motor







A-massge jet

B-sunction

C-waste

D-valve

E-handshower

F-control panel

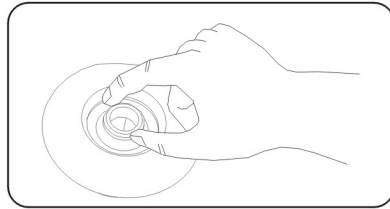
G-pillow

H-underwater lamp

Note: The lowest water level should be higher than the highest jets more than 4cm, and the temperature should not less than 60°C.

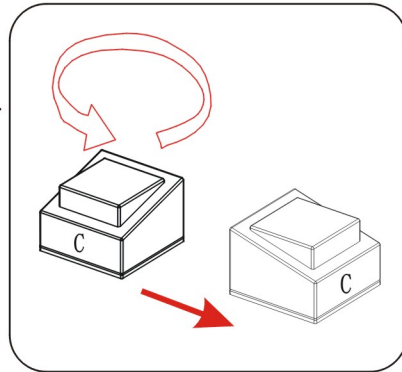
## Massage jet

The orientation of the jet can be selected according to individual preference.



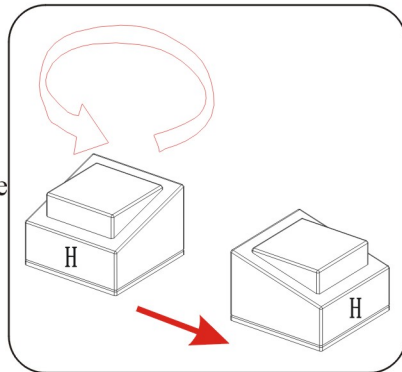
## Cold water regulating valve

1. The cold water regulator valve allows the user to regulator the proportions of cold water. You should turn the valve off after using.
2. When the mark C is facing the inside of the bathtub, the valve is off.
3. Turn on the valve by rotating anti-clockwise. The adjustable angle is about 0-90 degree.



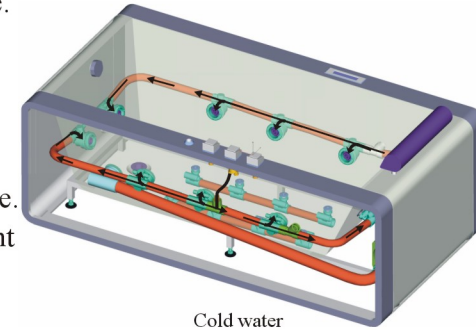
## Hot water regulating valve

1. The hot water regulator valve allows the user to regulator the proportions of hot water. You should turn the valve off after using.
2. When the mark H is facing the inside of the bathtub, the valve is off.
3. Turn on the valve by rotating anti-clockwise. The adjustable angle is about 0-90 degree.



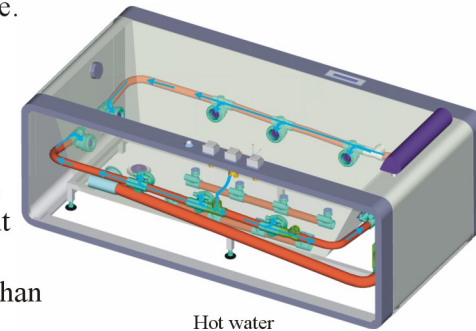
## Cleaning water pipe with cold water

1. Turn off the hot water regulating valve.
2. Turn the function valve to the water supply function.
3. Turn on the cold water regulating valve. Water will flow from soft pipe to different pipes to flush all waste out via the jets.



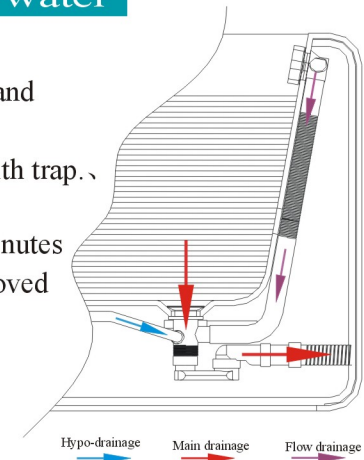
## Cleaning water pipe with hot water

1. Turn off the cold water regulating valve.
2. Turn the function valve to the water supply function.
3. Turn on the hot water regulating valve. Water will flow from soft pipe to different pipes to flush all waste out via the jets. The temperature of water should be less than 60 degree centigrade.

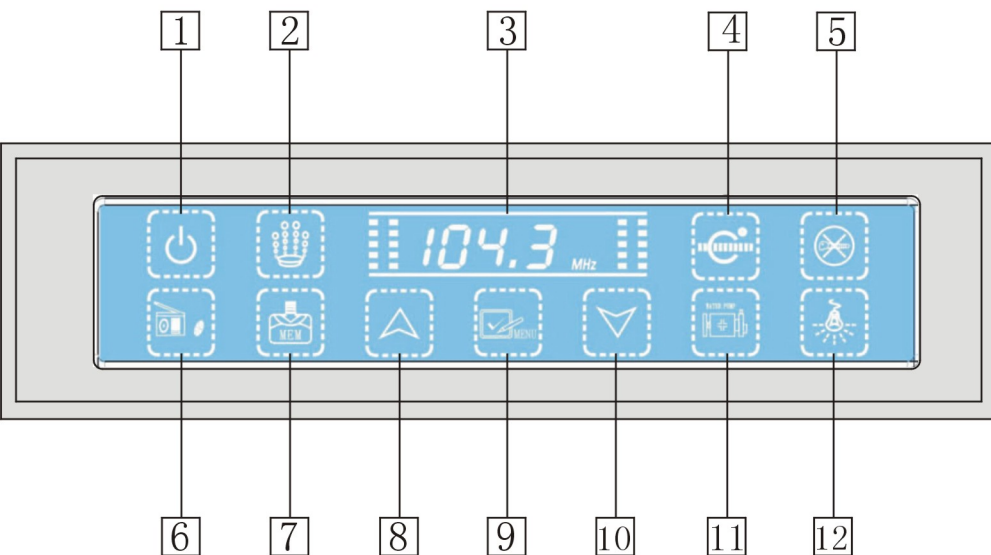


## Removal of remaining water

1. Turn on the water outlet after using and remaining water in the bathtub will be removed to drainage pipe via waste with trap.
2. Keep the water outlet on over 30 minutes after remaining water completely removed for better removal.



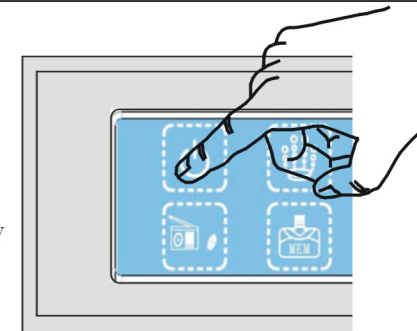
## Instruction for Control Panel



- |               |                  |                     |
|---------------|------------------|---------------------|
| 1. Power      | 2. Air regulator | 3. Frequency shown  |
| 4. Heater     | 5. Ozone         | 6. Radio            |
| 7. Saving key | 8. + key         | 9. Choosing key     |
| 10. - key     | 11. Motor        | 12. Underwater lamp |

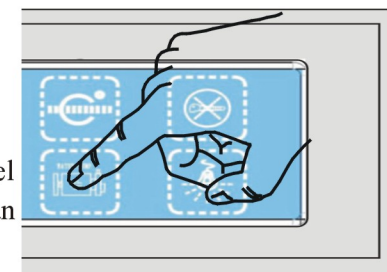
## Power

1. Press this key once to turn on the system, and press it again to turn it off. Press the key at the third time to turn on the system and so on.
2. The system will be turned off automatically after 60 minutes using.



## Motor

1. Press this key to turn on the motor, then press it again to turn it off. Press the key at the third time to turn on the motor and so on.
2. The motor will be turned off automatically after 60 minutes using.
3. The motor function is controlled by water level in the bathtub. When the water level is lower than the standard level, the motor can not turned on until the water level is over the standard level.



## Ozone

1. Press this key once to turn on the ozone function, then press it again to turn it off. Press the key at the third time you turn on the function again and so on.
2. This function will be turned off automatically after 60 minutes using.
3. The ozone function is controlled by water level in the bathtub. When the water level is lower than the standard level, the function can not be turned on until the water level is over the standard level.

