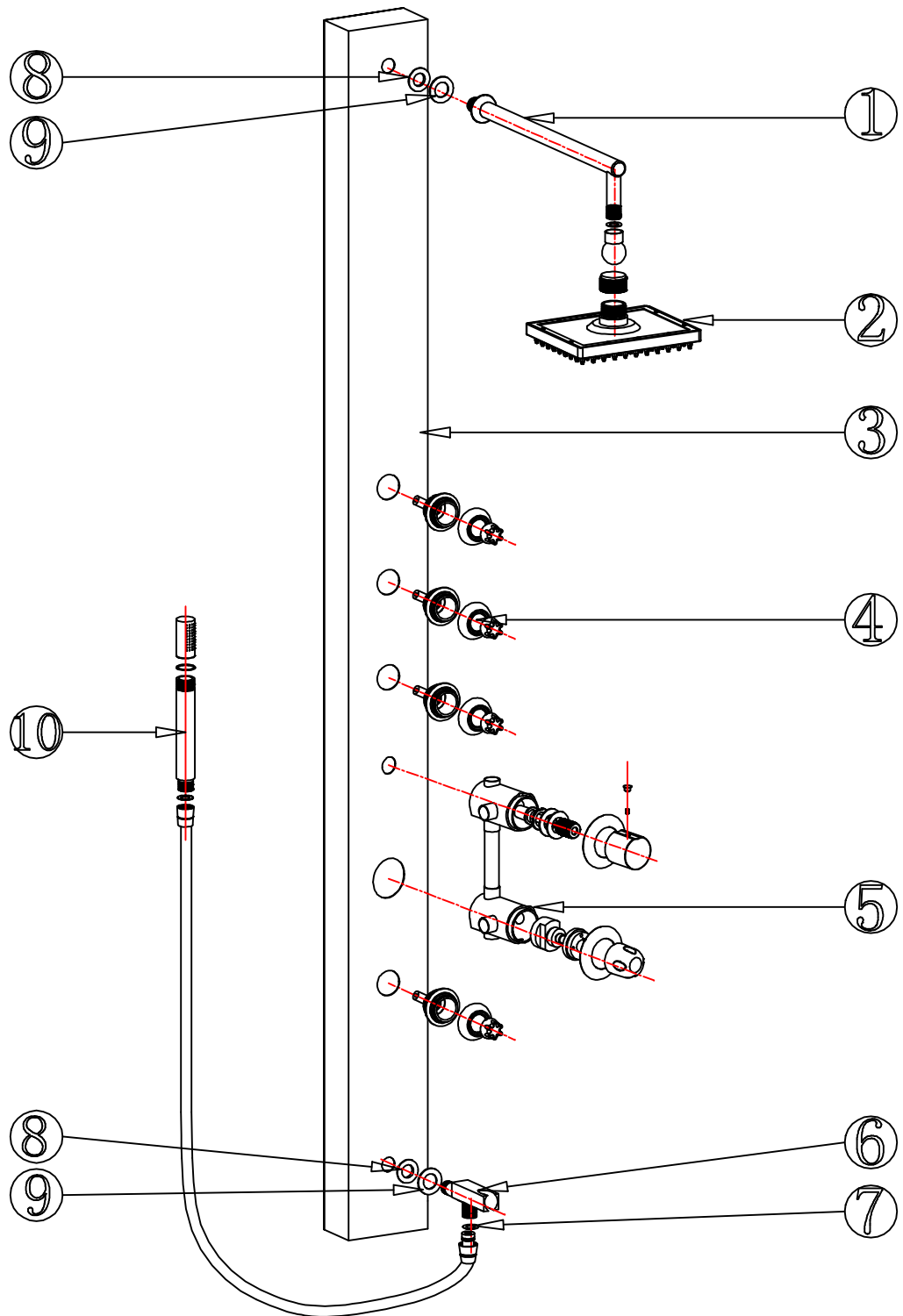
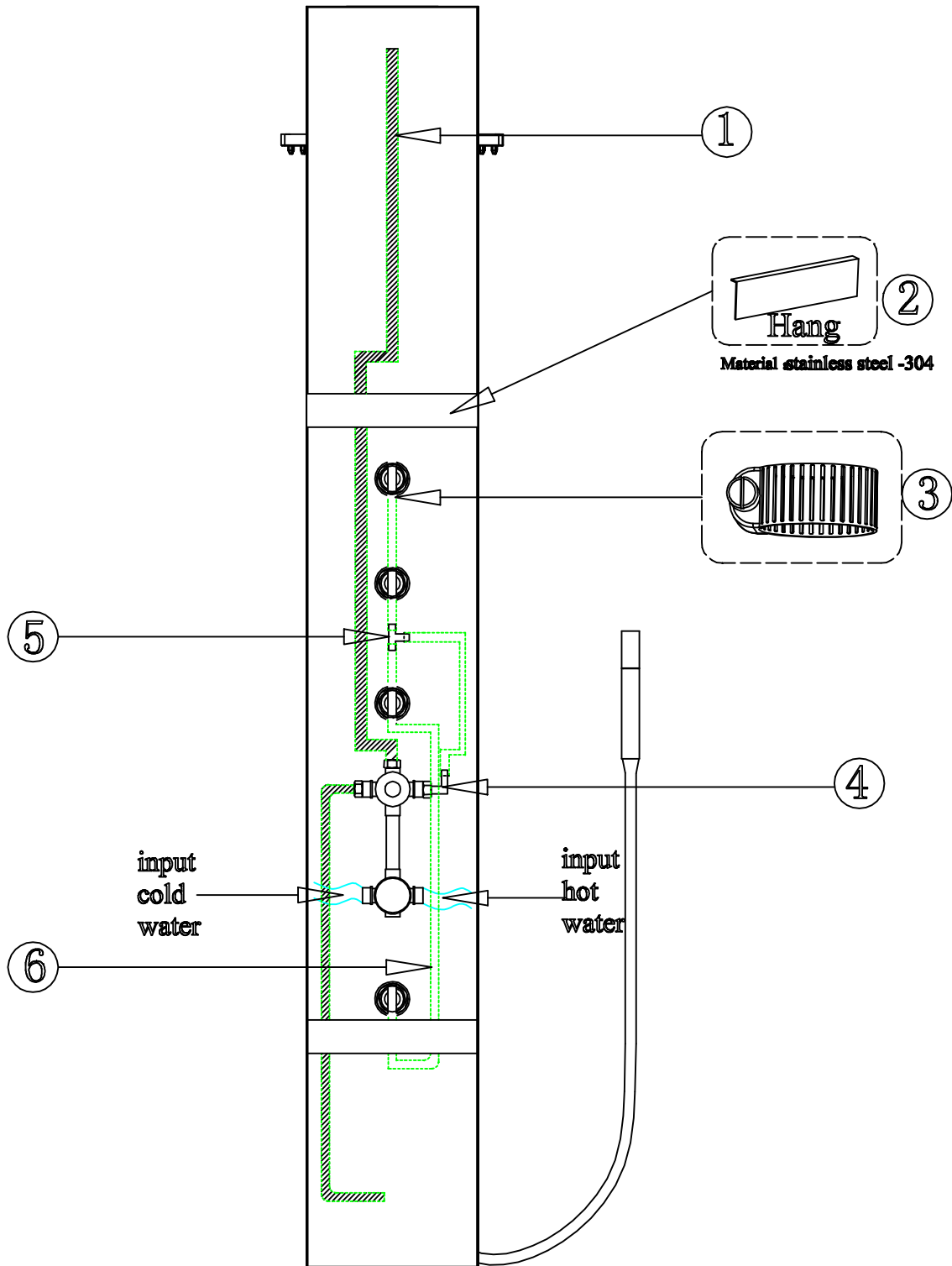


Dimensions: 1780*130*70

ProductName	A202	DWG NO:	
Scale		Material:	
Design/Date	JOE/08. 12. 26	Area (mm ²)	theory weight (kg)
Audit/Date		Revision	Page:
Ratify/Date		ASKON BATHROOM APPLIANCES CO.,LTD	



Amount	Name	Material			
1	Elbow Pipe	Brass	4	Jets	
2	Monsoon Head		5	Thermostatic faucet	
3	Shower panel	aluminum steel - 304	6	Wall supply and shower seat	Aluminium
			7	Gasket	PVC
			8	Fixed screw cap	Brass
			9	Gasket	PVC
			10	Handle shower	



ProductName		A202	
Amount	Name	Material	
1	Hard tube	stainless steel	4 Elbow
2	Hang	stainless steel -304	5 3-outlet connection
3	Ring	stainless steel	6 soft pipe
			Brass
			PVC
			PVC