

**BASE CABINET DIMENSIONS**

60" W x 21.5" D x 33.5" H



**FEATURES**

- Solid wood frame & plywood panels
- Dovetail drawers and joints
- Soft closing doors & drawers

**HARDWARE FINISHES\***



Brushed Nickel    Satin Brass    Matte Black    Polished Chrome

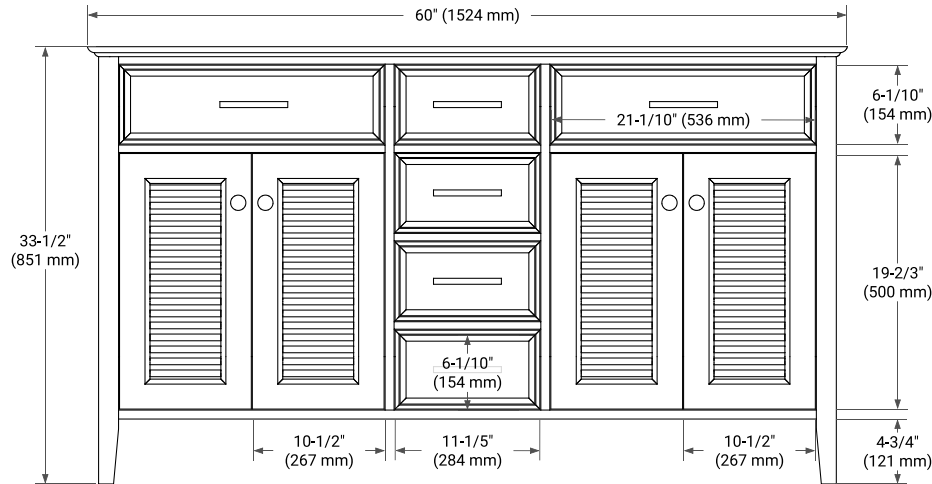
*Hardware comes preinstalled with the illustrated option. Other finishes are available on our online store if you prefer a different one.*

**AVAILABLE COLORS**

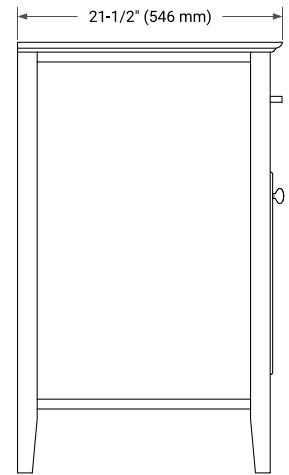


White    Grey

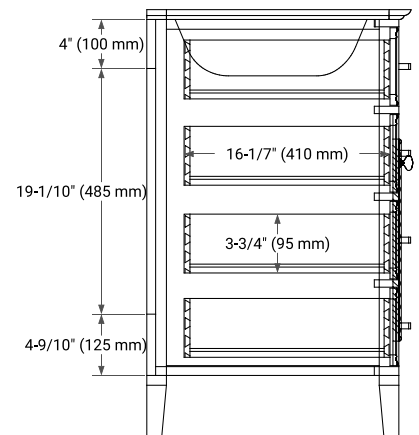
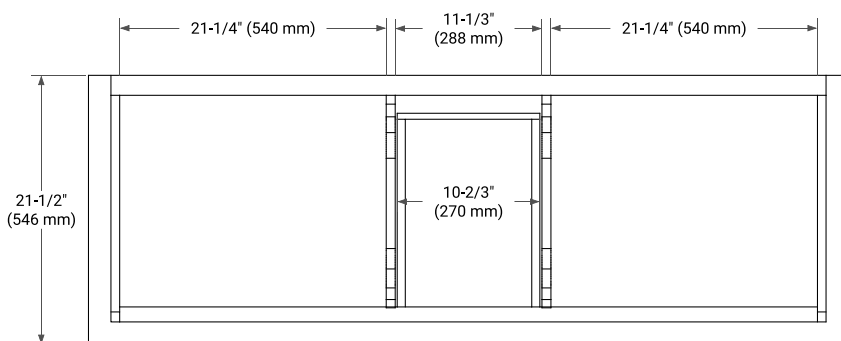
**FRONT VIEW**



**SIDE VIEW**



**PLAN VIEW**



# 61" DOUBLE RECTANGLE SINK COUNTERTOP WITH 0.75 IN. THICKNESS

# ARIEL

## OVERALL DIMENSIONS

61" W x 22" D x 0.75" H

## COUNTERTOP OPTIONS



Carrara Marble

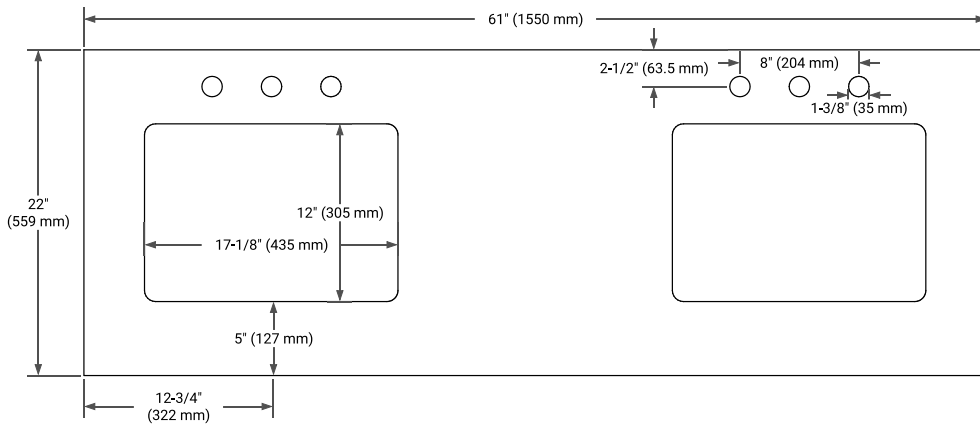
## FEATURES

- Solid countertop with mitered edges & seams
- Undermount white rectangular sink
- Pre-drilled for 8" widespread faucet

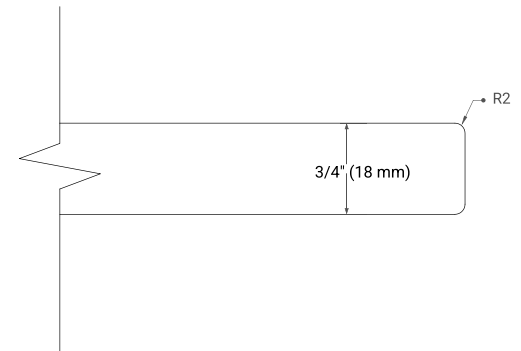
## INCLUDED

- Countertop
- Matching Backsplash
- Rectangle Sinks

## COUNTERTOP PLAN VIEW



## EDGE SIDE VIEW



## THREE DIMENSIONAL COUNTERTOP VIEW

